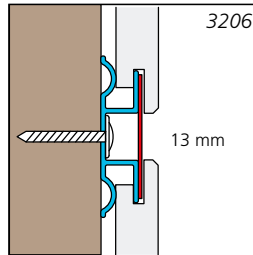
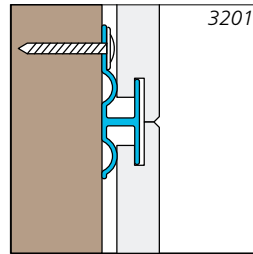
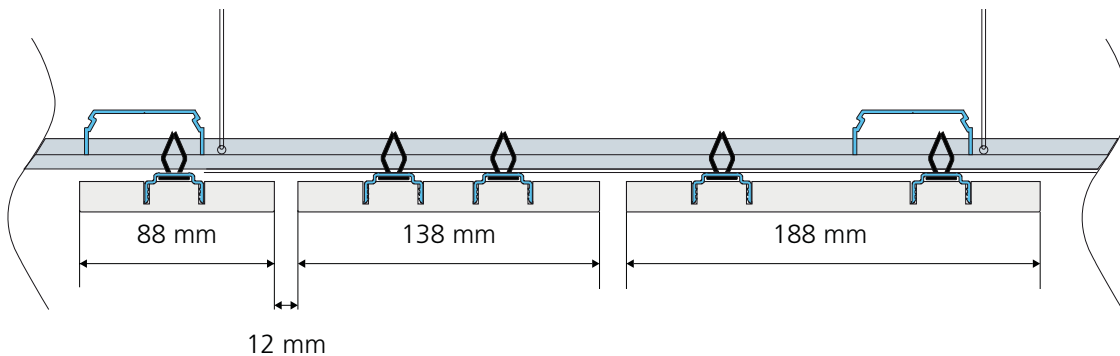


woodCLADDING > Linear Plank

CL-WD-GLP



TYPICAL DETAILS @ WALL
(VERT. SECT.)



TYPICAL DETAILS @ CEILING
(VERT. SECT.)

Specifications

woodWALLCLAD > Linear Plank

CARVART by Gustafs' Linear Plank system lets you combine a beautiful linear design with the best possible fire rating. With an easy-to-install cleat and frame system, Linear Plank saves time on labor and maintains a consistent quality.

APPLICATIONS —

Auditoriums, schools, conference rooms, concert halls, offices, hospitals

MATERIAL —

-CORE: Fibre Gypsum
-SURFACE: Veneer

HARDWARE —

-Capax Aluminum mounting system with wall/ ceiling cleats
-Standard spacing yields 1/2" gap between ribs

RIB WIDTH (OVERALL RANGE) —

3-7/16" [88mm] to 7-7/8" [200mm]
*Standard Increments

RIB LENGTH/HEIGHT (OVERALL MAX.) —

116-1/2" [2960mm]

RIB THICKNESS —

1/2" [13mm] to 2-15/16" [74mm]

FIRE CLASS —

A2-s1, d0

MOUNTING OPTIONS —

Capax frame and cleat system

WARRANTY —

1 Year Limited Warranty

Specification Code: **CL-WD-GLP**

CL	WD	GLP
LINE	TYPE	MODEL/ID