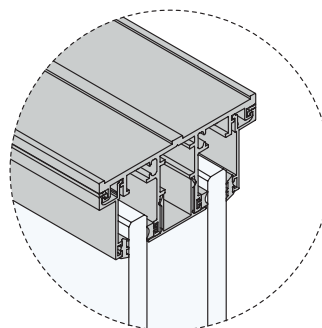


glassWALLS>Simple>Double

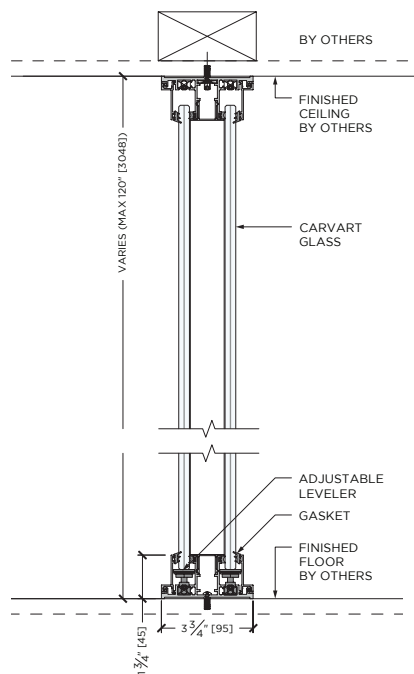
GW-SIMP-D



TYPICAL INSTALLATION



3D ISOMETRIC VIEW



TYPICAL VERTICAL SECTION

Specifications

WALLS>glassWALLS>Simple>Double

The Simple Double marries the subtle elegance of a minimal framing system with the optimal level of acoustics. Designed to house two complementary or contrasting panes of glass, the Simple Double wall offers superior acoustic isolation for the office or conference space and can easily integrate with the CARVART Slim and Simple single system or perform on its own.

APPLICATIONS —

Office separation, open space configurations, door and opening division, space division between offices, conference rooms or flex-space.

CONFIGURATIONS —

Straight runs, endless fixed panels, custom angles and configurations, various heights, fronts only, 2-4 sided office arrangements.

DOOR OPTIONS —

Hinged, Pivot, Sliding Door integration available.

GLASS TYPES—

Tempered monolithic, laminated, tempered laminated.

GLASS THICKNESS —

Accommodates 3/8" nominal up to 1/2" nominal

HARDWARE MATERIALS / FINISHES —

Refer to Finish Chart
Brushed satin anodized aluminum, polished aluminum, boack, white, grey, midnight, charcoal, light grey, warm grey, champagne, terra cotta, blackened aluminum.

WARRANTY —

1 Year Limited Warranty

Specification Code: **GW-SIMP-D**

GW	SIMP	D
LINE	TYPE	MODEL/ID