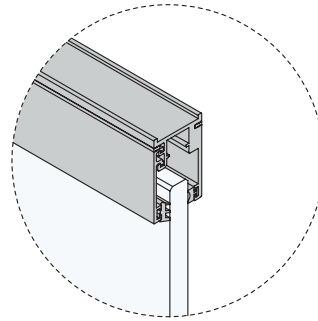


glassWALLS>Slim

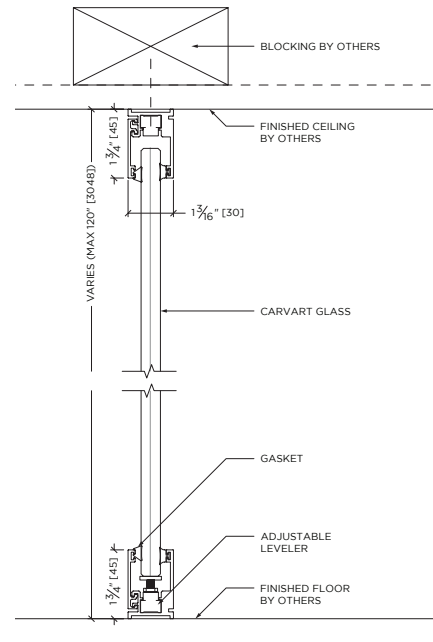
GW-SLIM-PF



TYPICAL INSTALLATION



3D ISOMETRIC VIEW



TYPICAL VERTICAL SECTION

Specifications

WALLS>glassWALLS>Slim

The ground-breaking Slim Frame system boasts minimal profiles and frameless design while still being easy-to-install with an innovative two-piece channel that truly revolutionizes installation and minimizes labor time. Offering a unique and innovative two-piece channel that marries ease-of-installation with minimal site-lines and aluminum extrusions.

APPLICATIONS —

Office separation, open space configurations, door and opening division, space division between offices, conference rooms or flex-space.

CONFIGURATIONS —

Straight runs, endless fixed panels, custom angles and configurations, various heights, fronts only, 2-4 sided office arrangements.

DOOR OPTIONS —

Hinged, Pivot, Sliding Door integration available.

GLASS TYPES—

Tempered monolithic, laminated, tempered laminated.

GLASS THICKNESS —

Accommodates 3/8" nominal up to 1/2" nominal

HARDWARE MAERIALS / FINISHES —

Refer to Finish Chart
Brushed satin anodized aluminum, polished aluminum, boack, white, grey, midnight, charcoal, light grey, warm grey, champagne, terra cotta, blackened aluminum.

WARRANTY —

1 Year Limited Warranty

Specification Code: **GW-SLIM-PF**

GW	SLIM	PF
LINE	TYPE	MODEL/ID