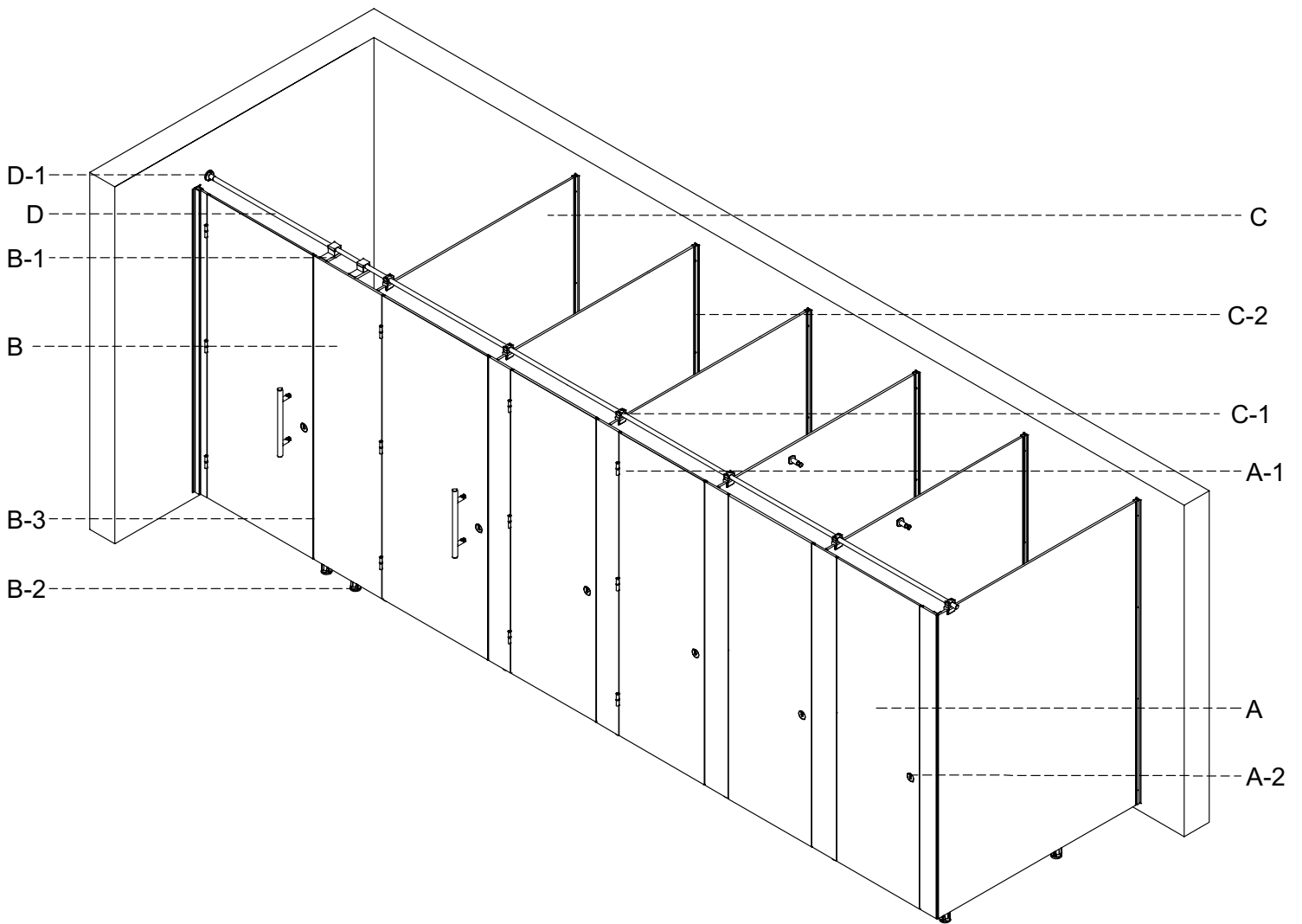


# chplBOX

## Installation Instructions

- + COMMERCIAL BATHROOM CUBICLE INSTALLER REQUIRED
- + STRUCTURAL CORDINATION AND CALCULATION BY OTHER
- + CARVART ASSIST WITH INSTALL AND CORDINATION



# chplBOX

## Installation Guide

### DOOR

1. ASSEMBLE DOOR COMPONENTS ON CHPL PANEL
2. INSERT GRAVITY BUTT HINGES INTO EACH OTHER
3. STANDARD LATCH
4. SELECT PULL TYPE

### FIXED PILASTER PANEL

1. BACK FASTEN TOP SUPPORT TO FIXED PILASTER PANEL
2. BACK FASTEN SUPPORT LEGS AND MOUNT TO FLOOR
3. CONNECT TO STABILIZING BAR

### DIVIDER

1. MOUNT WALL CHANNEL
2. INSTALL T-CONNECTION TO FIXED PILASTER PANEL
3. INSTALL SUPPORT LEGS
4. ATTACH TOP CLAMP AND CONNECT TO STABILIZING BAR

### STABILIZING BAR

1. BACK FASTEN TOP SUPPORT TO FIXED PILASTER PANEL

### WALL DIVIDER

1. FASTEN TO WALL

## COMPONENTS

**NOTE:** Letters correspond to components labeled on the 'TYPICAL COMPONENTS' diagram.

### A. Door

Material: CHPL

- 9/16" Compact High Pressure Laminate
- Specify Color & Pattern

A-1 Gravity Butt Hinge

A-2 Pull Options

- Round Pull
- Rectangle Pull
- ADA Rectangle Pull
- Ladder Pull
- Back to Back Ladder Pull

A-3 Lever Latch

### B. Fixed Pilaster Panel

Material: CHPL

- 9/16" Compact High Pressure Laminate
- Specify Color & Pattern

B-1 Back Fastened Top Support

B-2 Back Fastened Support Leg - Clearance Options:

- 3" Floor Clearance
- 9" Floor Clearance
- 12" Floor Clearance

B-3 Rabbeted Door Jamb with Bulb Gasket

### C. Divider

Material: CHPL

- 9/16" Compact High Pressure Laminate
- Specify Color & Pattern

C-1 Top Clamp Support

C-2 Full Height Vertical Profile

C-3 Clamp Support Leg - Clearance Options:

- 3" Floor Clearance
- 9" Floor Clearance
- 12" Floor Clearance

C-4 T-Connection (to Fixed Pilaster Panel)

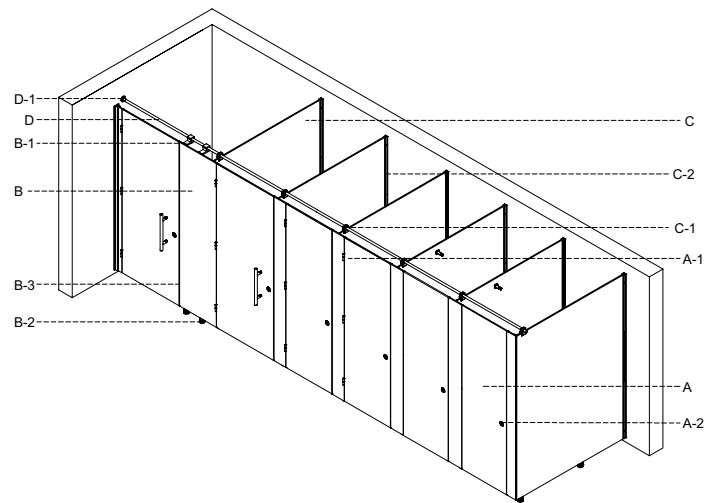
### D. Stabilizing Bar

Material: Double Anodized Aluminum

- Standard Finish: Satin Anodized Aluminum
- Specify Color & Pattern

D-1 Wall Mounted Stabilizing Connection

D-2 T-Connection (If Applicable)



### TOOLS NEEDED

Use other standard installation tools

#### DRILL

Use power tools for drilling into building structure.



#### SCREW DRIVER

Use hand tools only for all galls attachments



#### HEX KEY

Required metric tools



#### TAMPER PROOF UN-LOCK TOOL

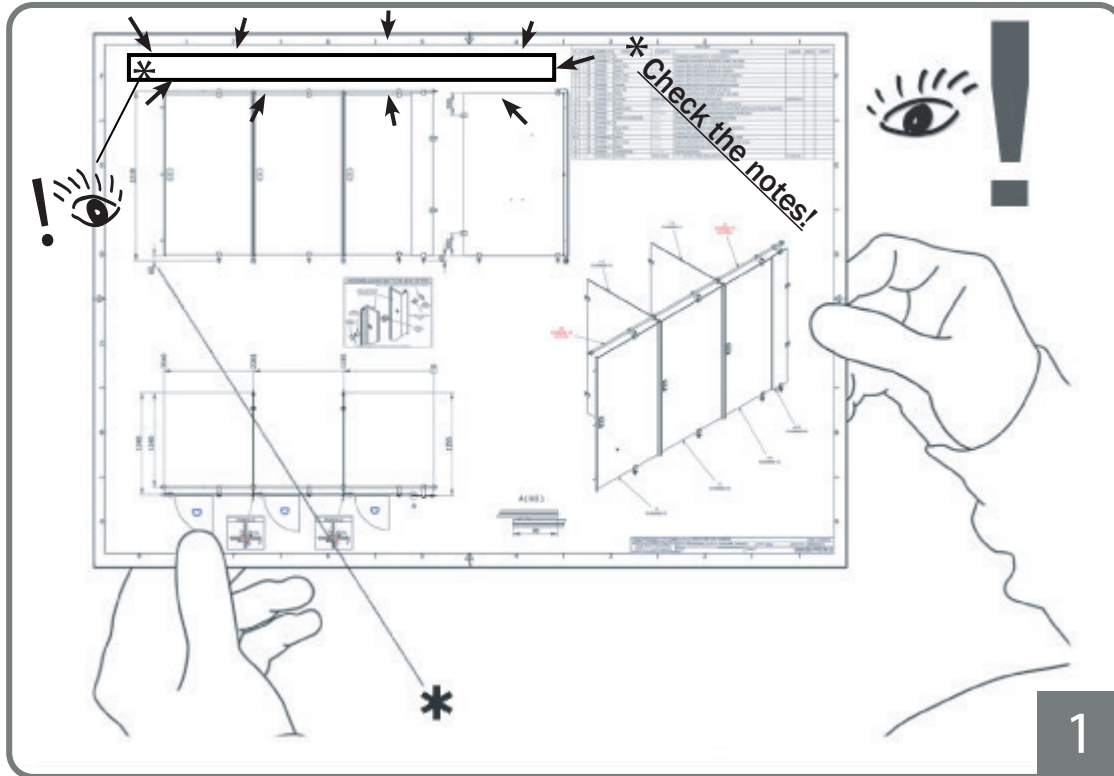
Required metric tool supplied by CARVART.



# INSTALLATION INSTRUCTIONS

## NOTES

Check all drawings



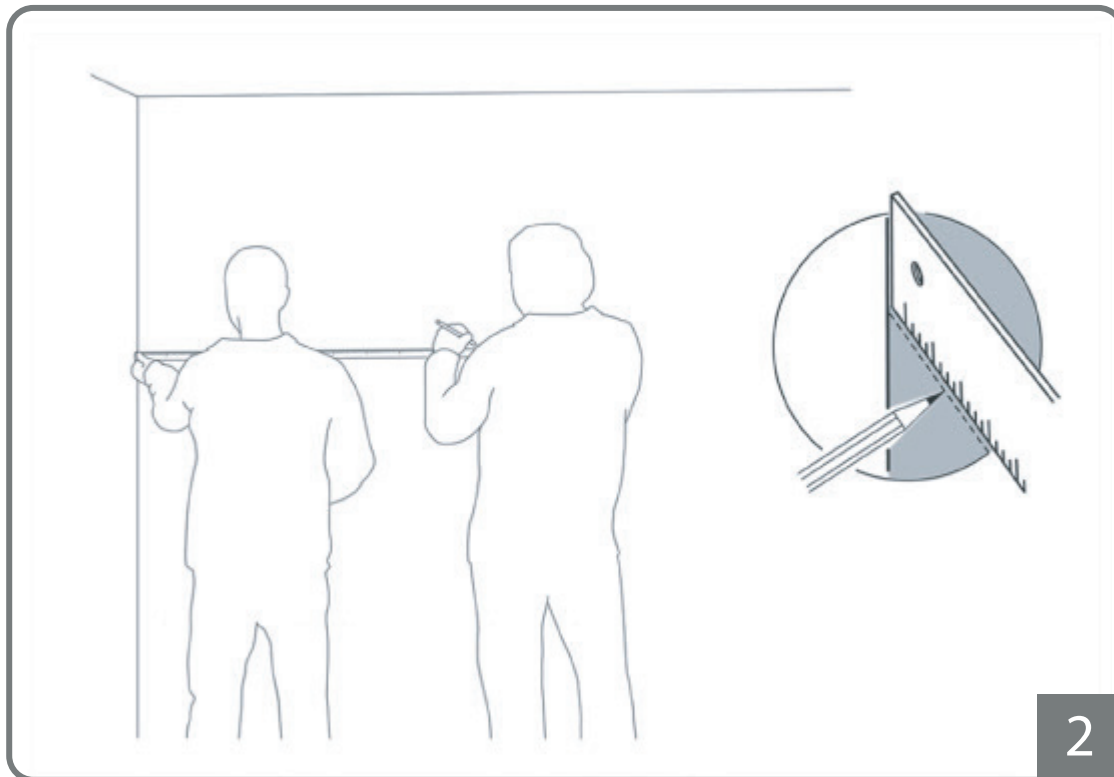
1

## STEP 1

INSPECT CRATE CONTENT FOR ANY DAMAGE FROM SHIPPING.

DO NOT PROCEED WITHOUT THOROUGH INSPECTION OF MATERIAL.

- CHECK SHOP DRAWINGS
- CHECK FIELD DIMENSIONS
- CHECK TOOLS
- CHECK EQUIPMENT



2

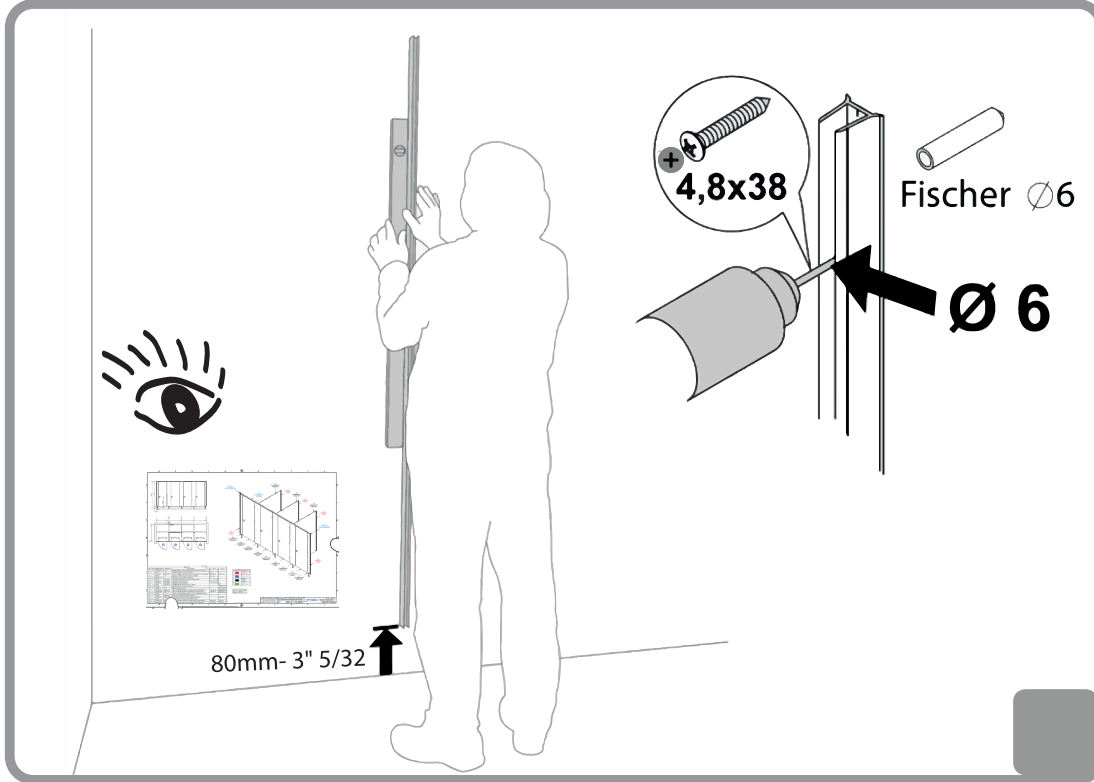
## STEP 2

MEASURE AND MARK ANCHORING SPOTS

# INSTALLATION INSTRUCTIONS

## NOTES

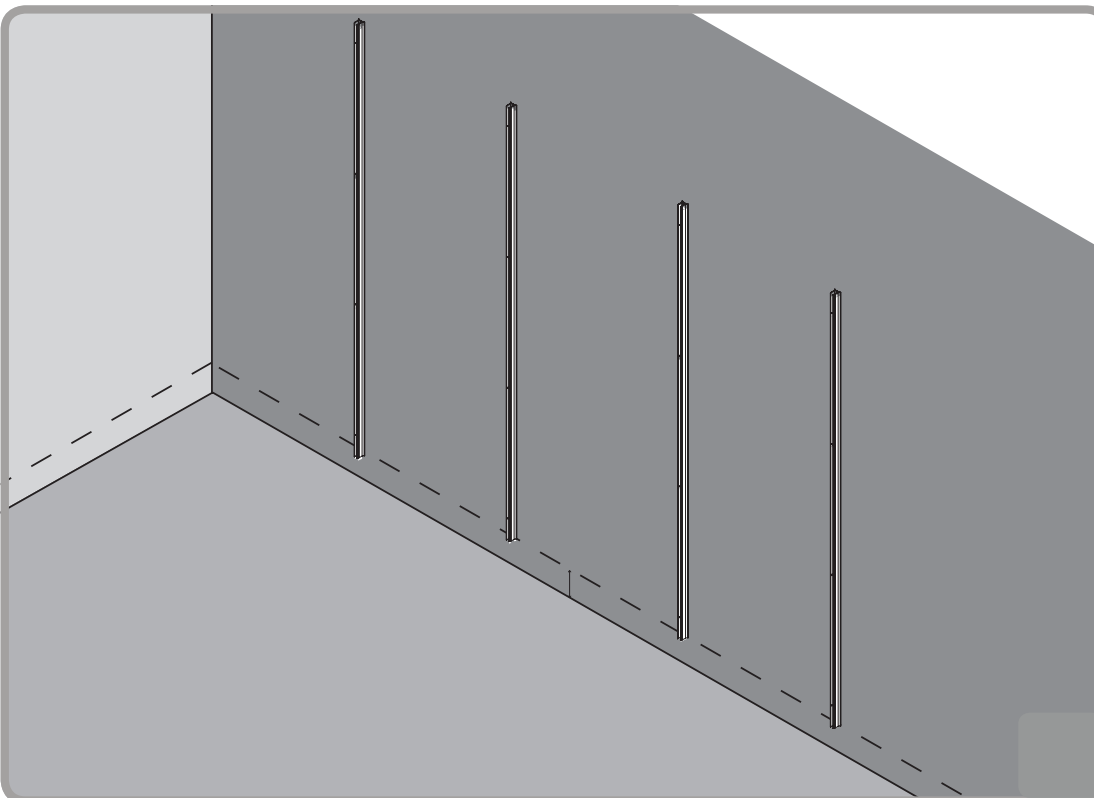
Check all drawings



## STEP 3

DRILL HOLE  
 INSERT ANCHOR  
 FASTEN CHANNEL TO WALL  
 WITH SCREW

ALTERNATE: WOOD SCREWS/  
 SHEET METAL SCREW CAN  
 BE USED DEPENDING ON THE  
 BLOCKING TYPE PROVIDED  
 BY CONTRACTOR. ALTERNATE  
 TYPE OF SCREWS ARE NOT  
 PROVIDED BY CARVART



## STEP 4

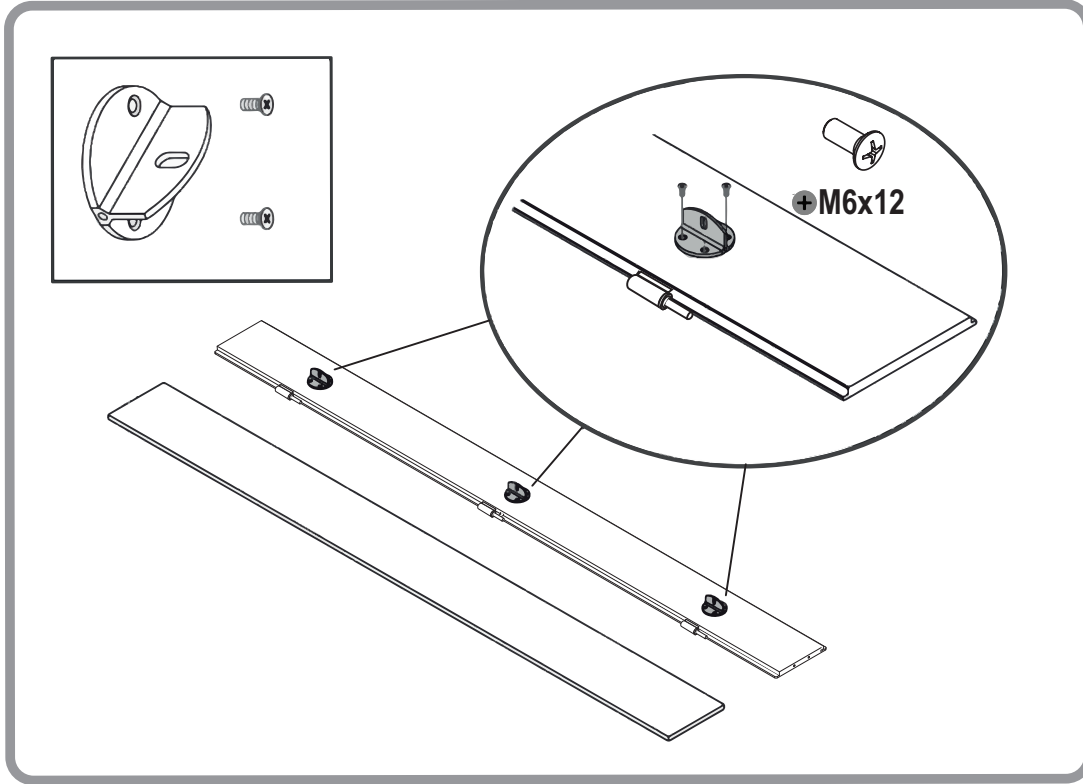
MAKE SURE ALL DIVIDER  
 CHANNELS ARE LEVEL

REFER TO SHOP  
 DRAWINGS FOR BLOCKING  
 REQUIREMENTS.

# INSTALLATION INSTRUCTIONS

## NOTES

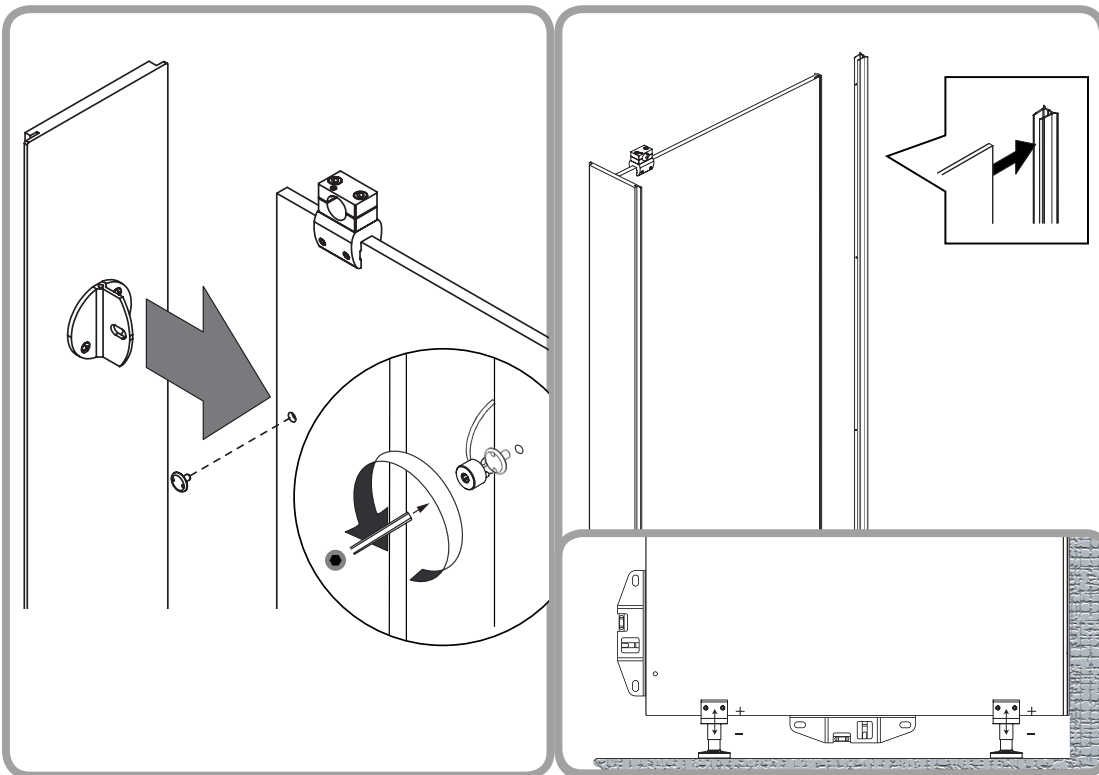
Check all drawings



## STEP 5

SCREW AND FASTEN  
DIVIDER T-CONNECTIONS TO  
PILASTER.

THE DIVIDER WILL SLOT INTO  
THESE CONNECTIONS.



## STEP 6

INSERT PILASTER  
INTO DIVIDER USING  
T-CONNECTION.

INSERT CONNECTED DIVIDER  
AND PILASTER INTO THE  
MOUNTED DIVIDER CHANNEL.

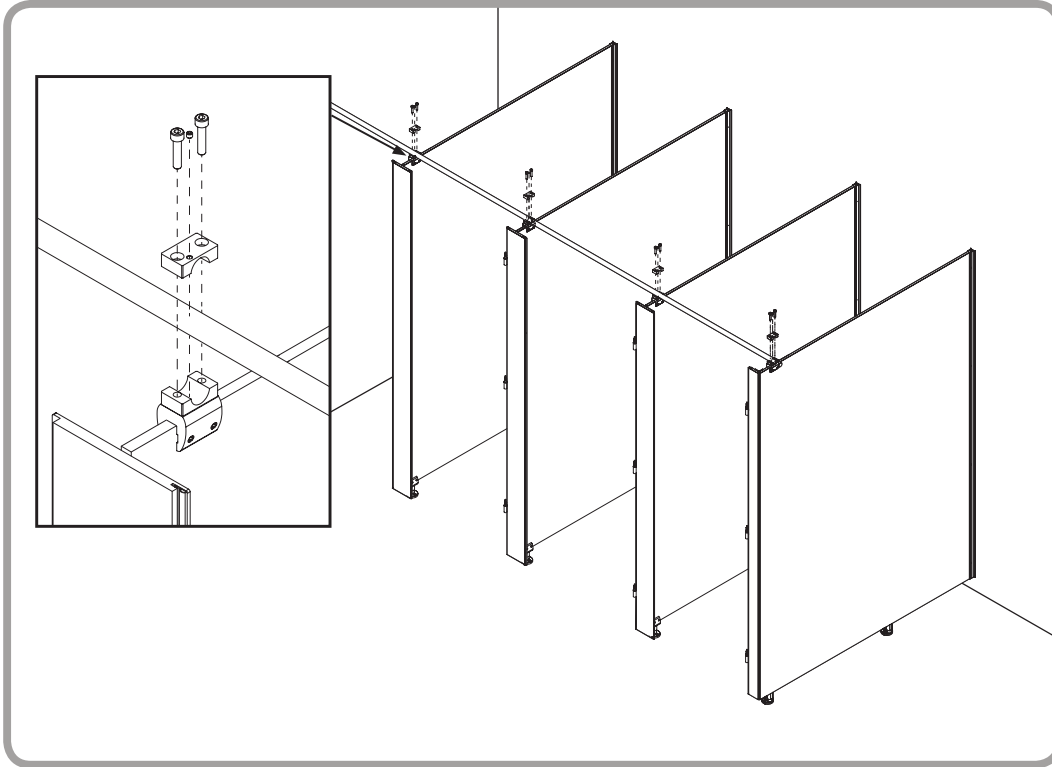
DO NOT ANCHOR THE FLOOR  
SUPPORT LEG INTO THE  
FLOOR UNTIL THE END.

ENSURE DIVIDER IS LEVEL.

# INSTALLATION INSTRUCTIONS

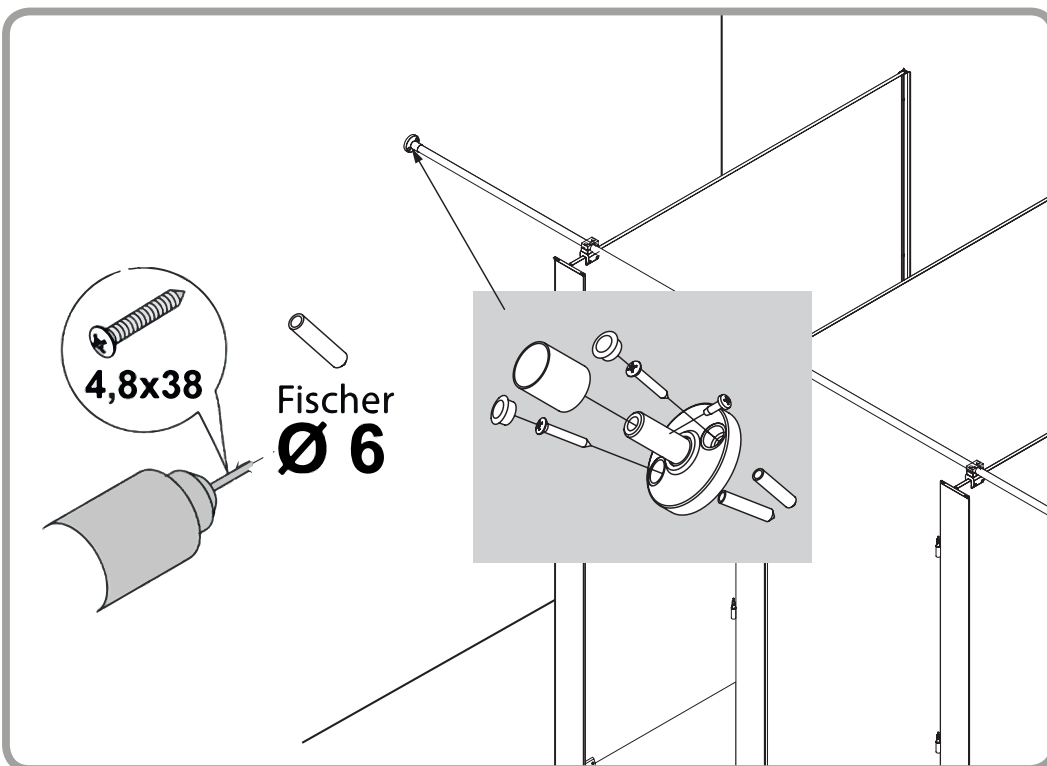
## NOTES

Check all drawings



## STEP 7

PLACE AND FASTEN STABILIZING BAR TO TOP DIVIDER CONNECTIONS.



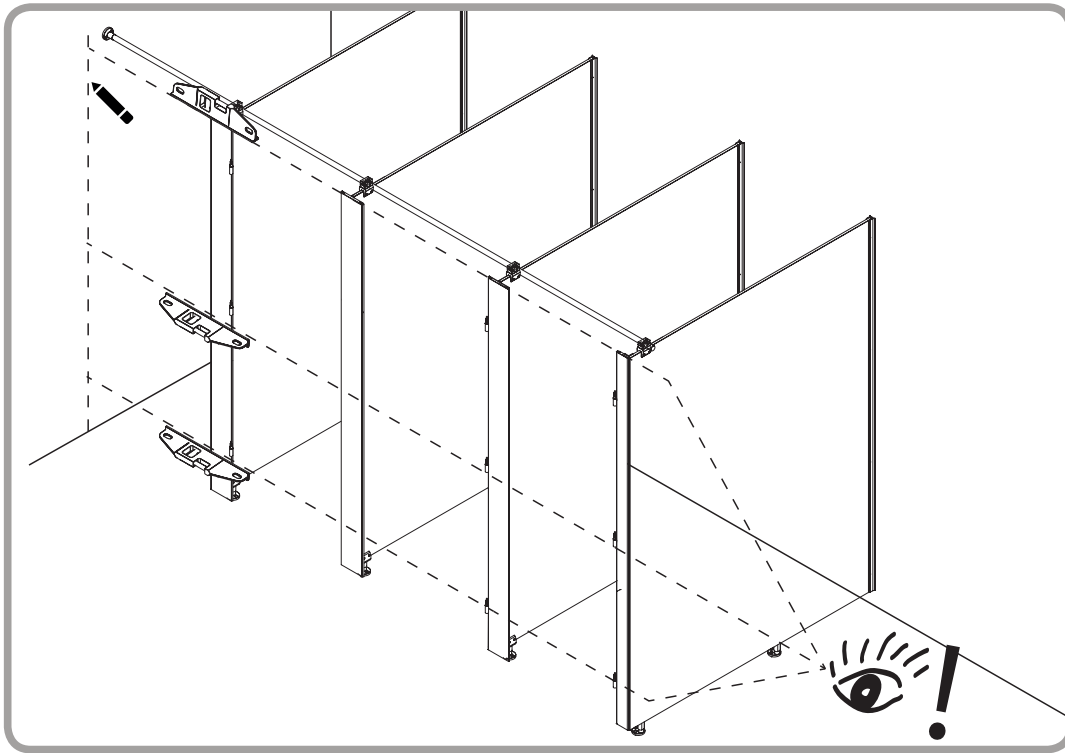
## STEP 8

CONNECT STABILIZING BAR AND FASTEN STABILIZING BAR TO WALL.

# INSTALLATION INSTRUCTIONS

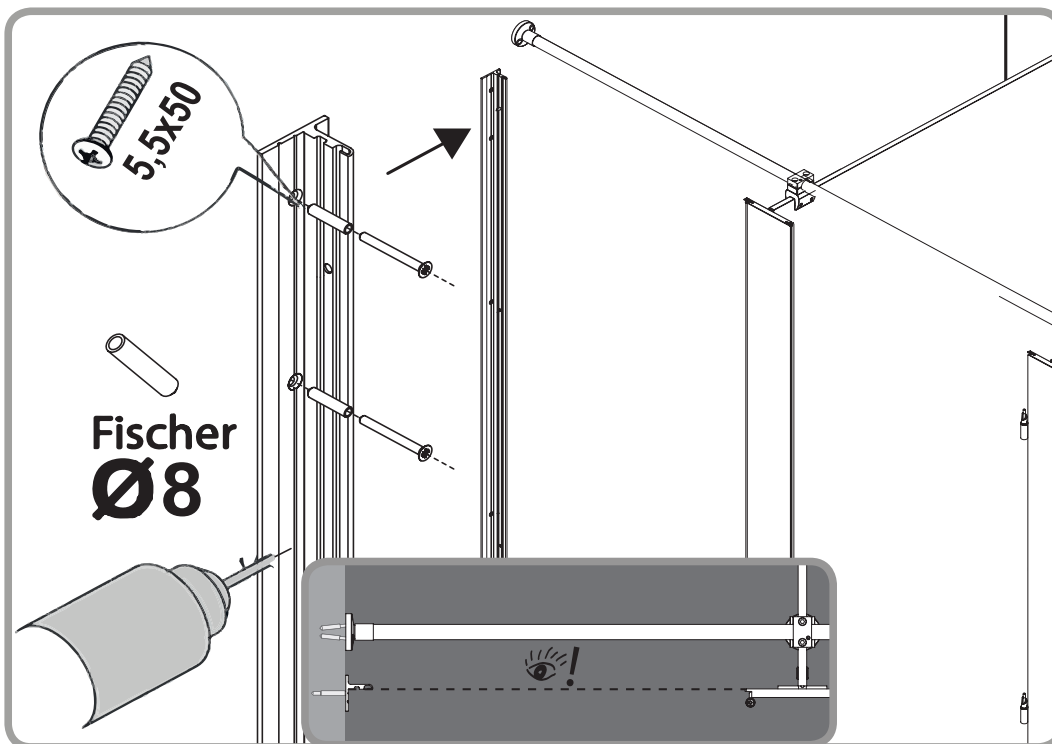
## NOTES

Check all drawings



## STEP 9

ENSURE ALL PANELS ARE LEVEL.



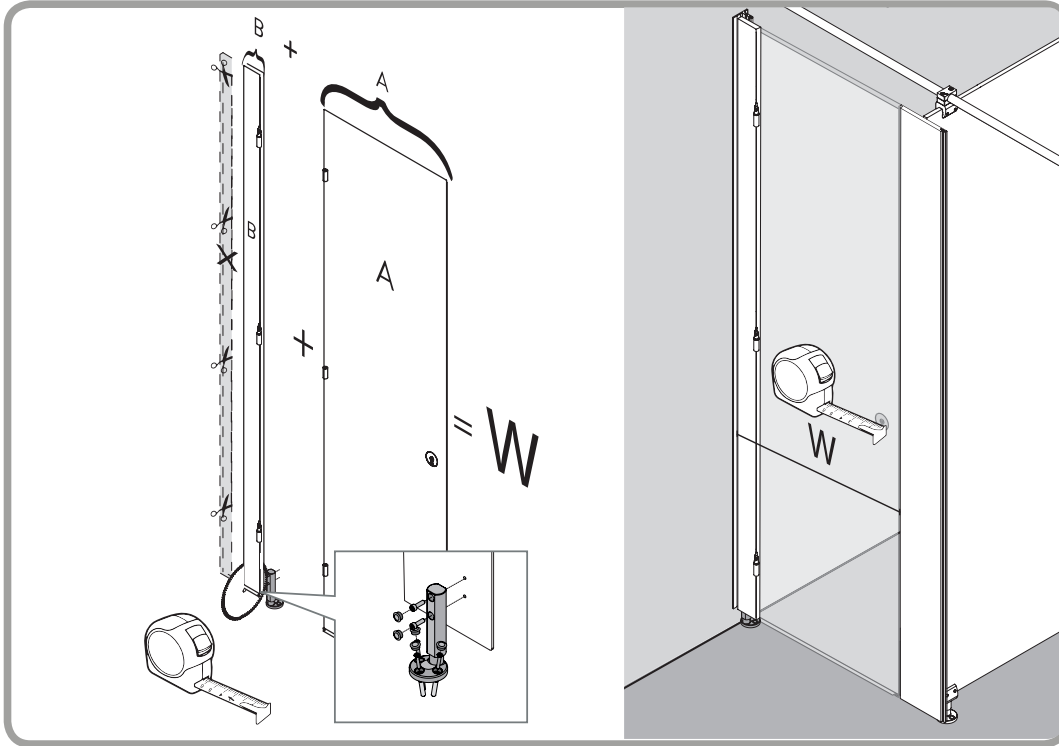
## STEP 10

MOUNT AND ANCHOR TWO PIECE PILASTER CHANNEL TO WALL.

# INSTALLATION INSTRUCTIONS

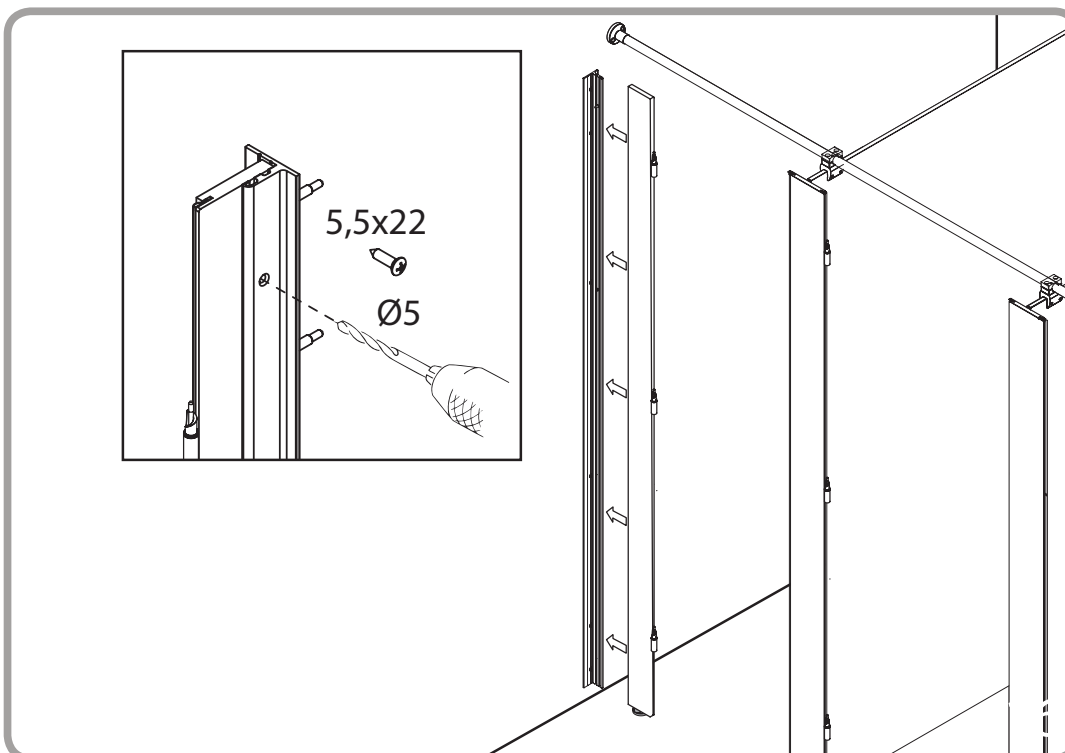
## NOTES

Check all drawings



## STEP 11

ENSURE SIZE OF THE OPENING WILL FIT THE DOOR ACCORDING TO SHOP DRAWINGS.



## STEP 12

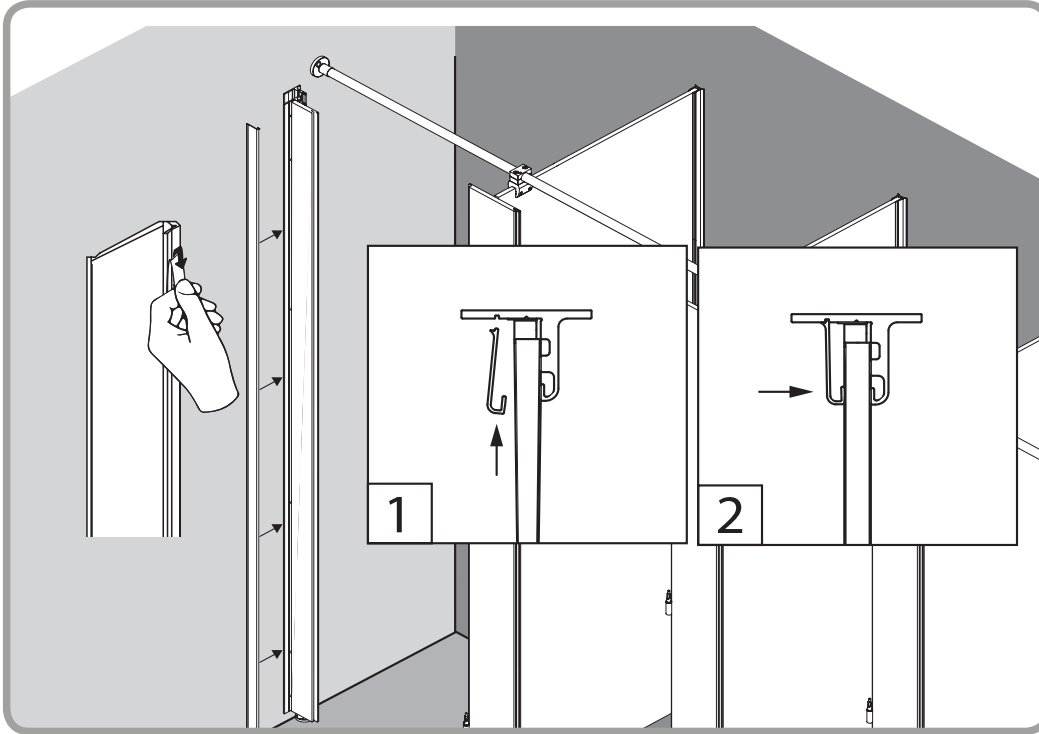
FASTEN TWO PIECE CHANNEL TO PILASTER.



# INSTALLATION INSTRUCTIONS

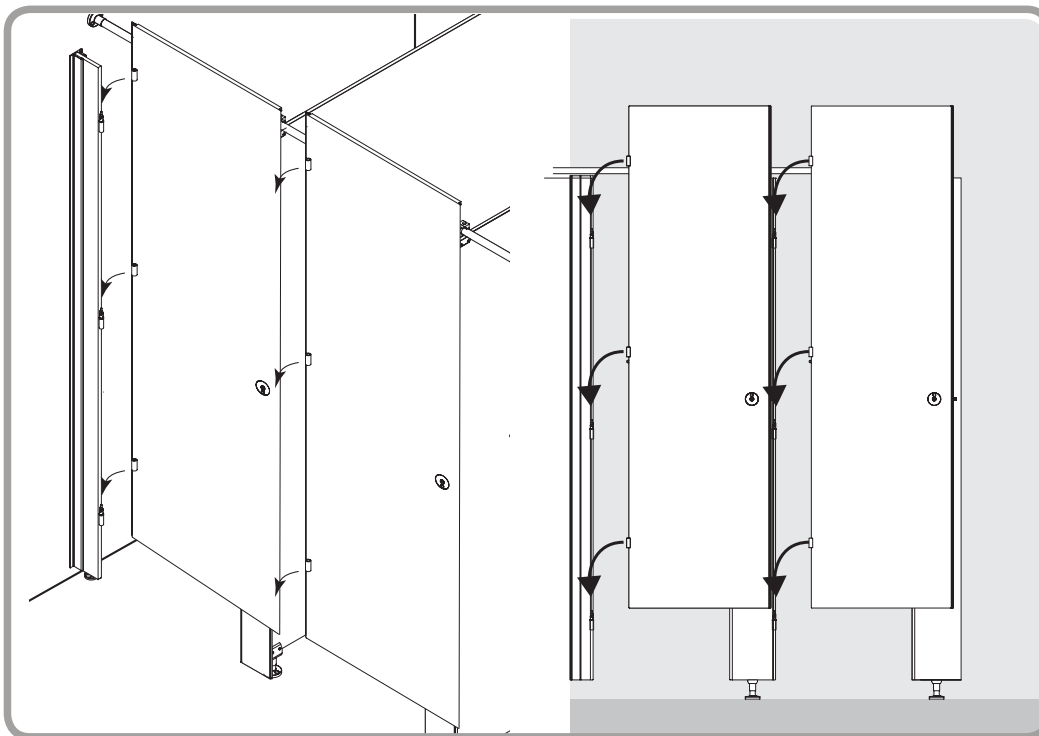
## NOTES

Check all drawings



## STEP 13

SNAP ON FASCIA TO COMPLETE TWO PIECE CHANNEL.



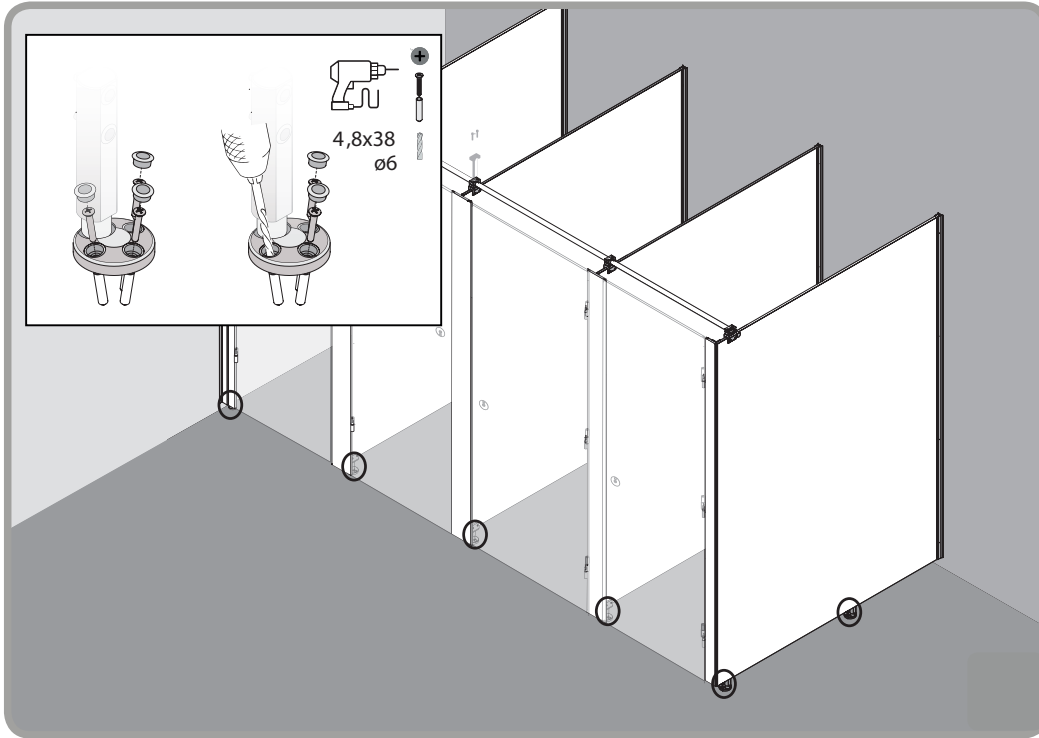
## STEP 14

INSERT DOOR PANEL HINGES INTO PILASTER HINGES.

# INSTALLATION INSTRUCTIONS

## NOTES

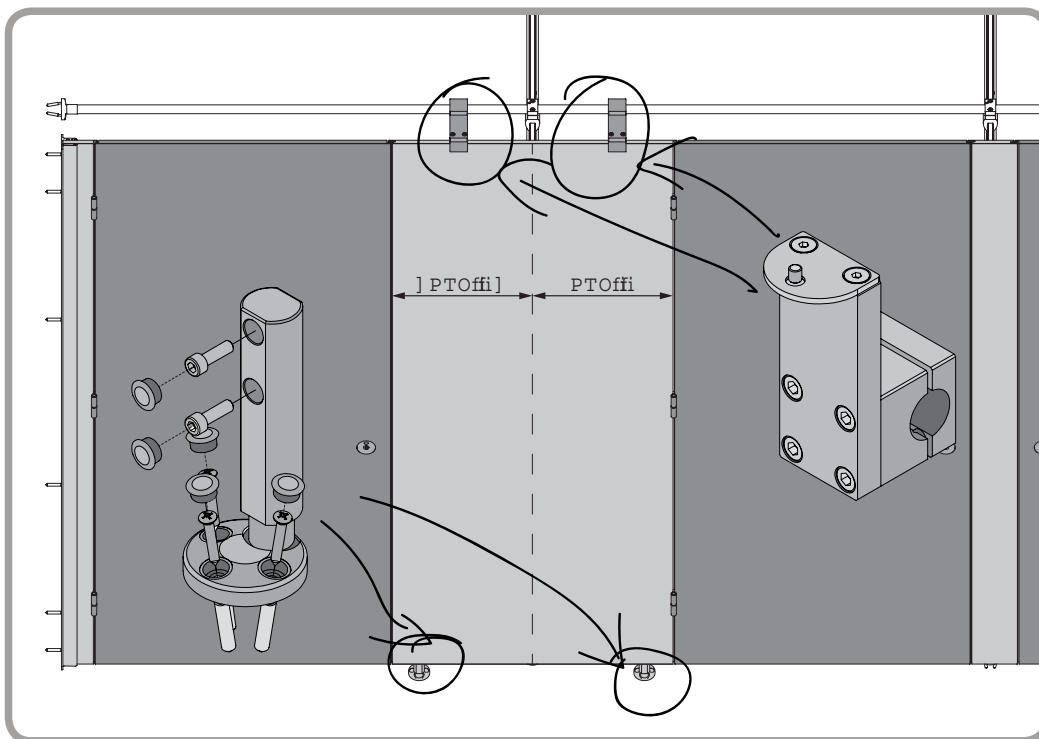
Check all drawings



## STEP 15

**FASTEN FLOOR SUPPORTS TO FLOOR.**

- + INSTALL PILASTER TO STABILIZING BAR AND FLOOR
- + USE LEG ADJUSTMENT (+/- 3/8") TO ENSURE THE PILASTER PANEL IS INSTALLED PLUMB AND LEVEL.
- + DO NOT FASTEN LEGS TO THE FLOOR UNTIL ALL PARTITIONS ARE INSTALLED AND ADJUSTED.
- + INSERT FULL HEIGHT VERTICAL JAMB PROFILE IN SIDE OF FIXED Pilaster FRONT PANEL.
- + MUST USE NEUTRAL CURE SILICONE. PLEASE REFERE TO CARVART RECOMMENDED BRANDS.



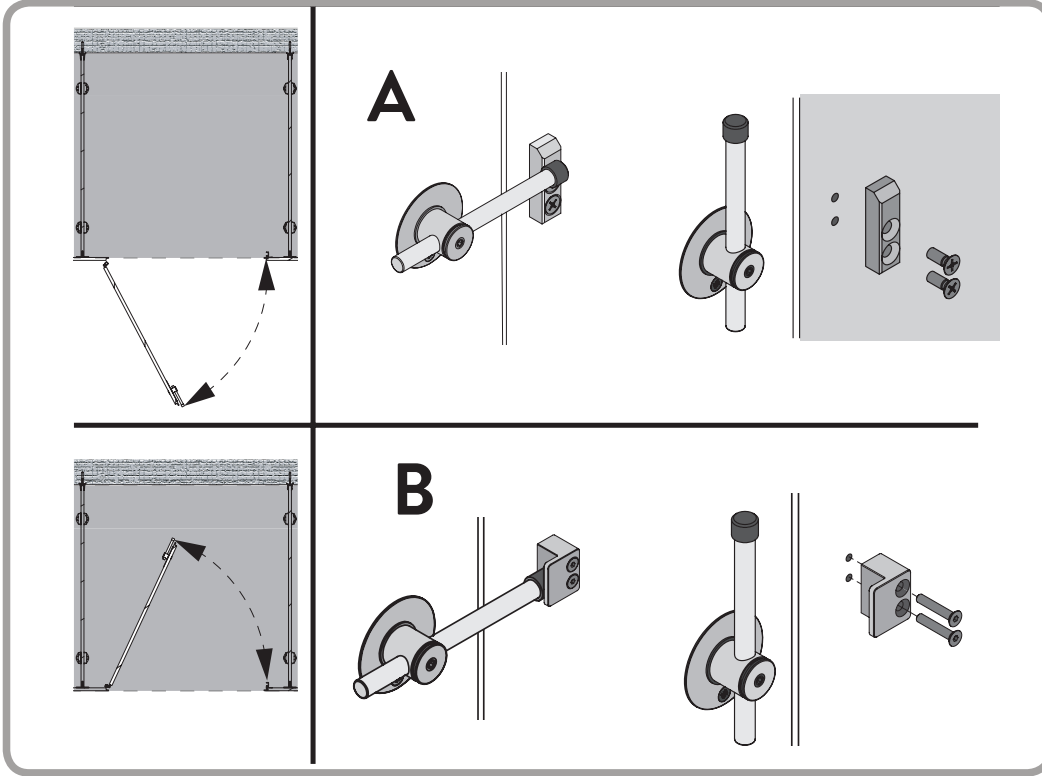
## STEP 16

**POSITION THE TOP AND FLOOR SUPPORTS FOR THE FIXED PILASTER AND ESURE ALL ARE LEVEL AND EVEN.**

# INSTALLATION INSTRUCTIONS

**NOTES**

Check all drawings

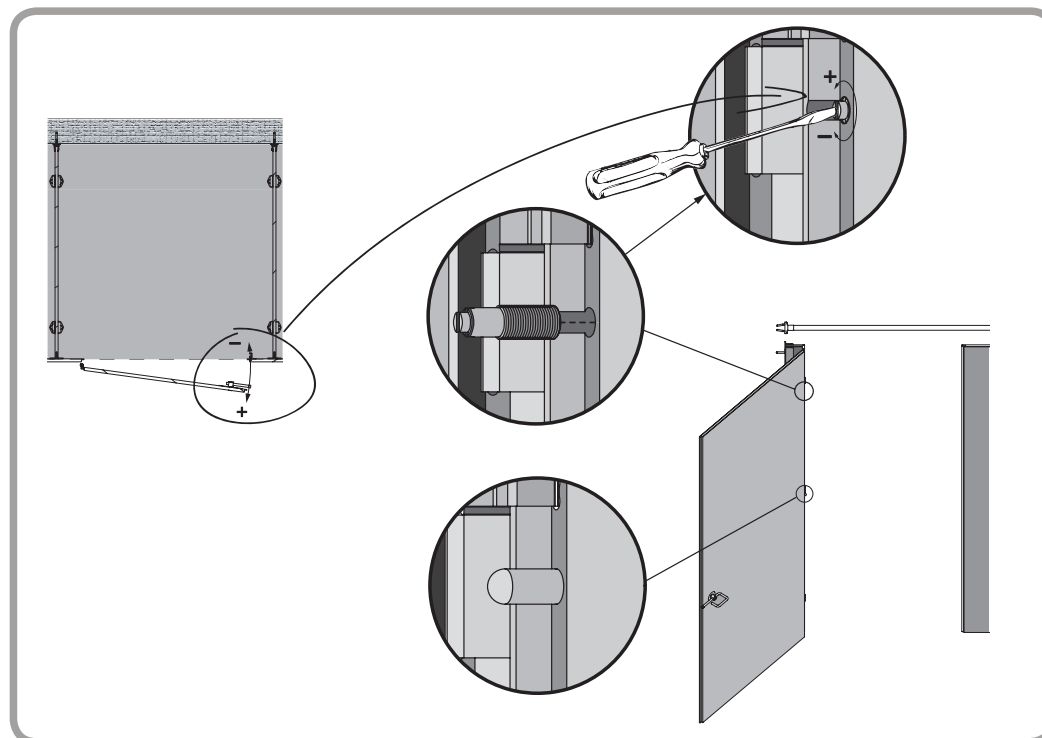


## STEP 17

FASTEN JAMBS TO FIXED PROFILES.

USE TYPE A FOR OUTSWING

USE TYPE B FOR INSWING



## STEP 18

+ ADJUST HINGES  
FOR CLOSE OPEN  
ADJUSTMENT.

# INSTALLATION INSTRUCTIONS

## NOTES

Check all drawings

**B ADJUST**

±5mm-13/64"

±5mm-13/64"

±5mm-13/64"

±5mm-13/64"

±5mm-13/64"

ø6mm

±5mm-13/64"

±5mm-13/64"

**CHECK TOLLERANCE**

P18

18

## STEP 19

- + PLACE DOOR TO FLOOR
- + MAKE HEIGHT ADJUSTMENTS
- + MAKE LATERAL ADJUSTMENTS TO BASE PLATE

F-2

**A**  
FIX AT FLOOR

17

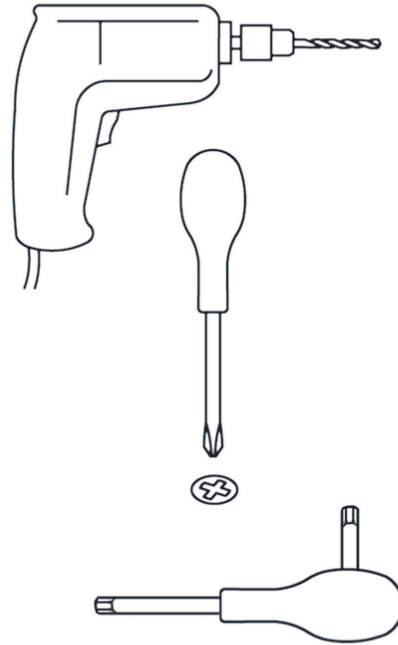
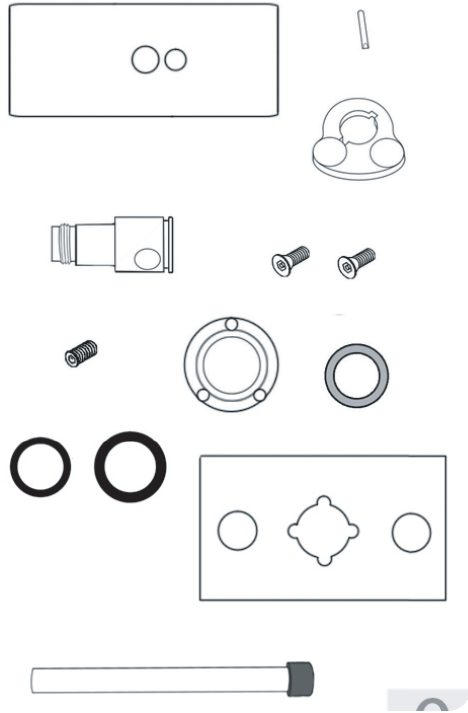
## STEP 20

- + ONLY ONCE YOU ARE SATISFIED WITH ADJUSTMENTS DO YOU PROCEED TO FASTEN THE SUPPORT TO THE FLOOR.

# INSTALLATION INSTRUCTIONS

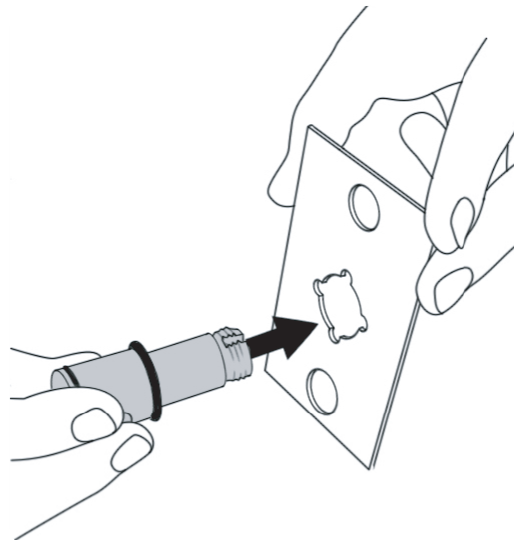
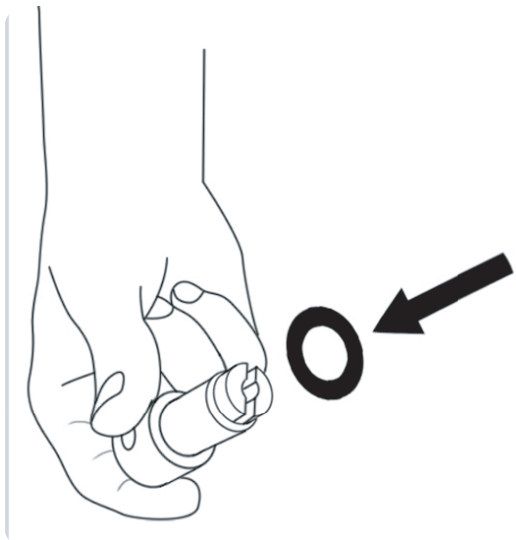
## NOTES

Check all drawings



## STEP 25

+ DOUBLE CHECK YOU HAVE ALL LATCH COMPONENTS AND TOOLS



## STEP 26

+ INSERT CIRCULAR CAP AND PLACE INTO PLASTER PLATE.

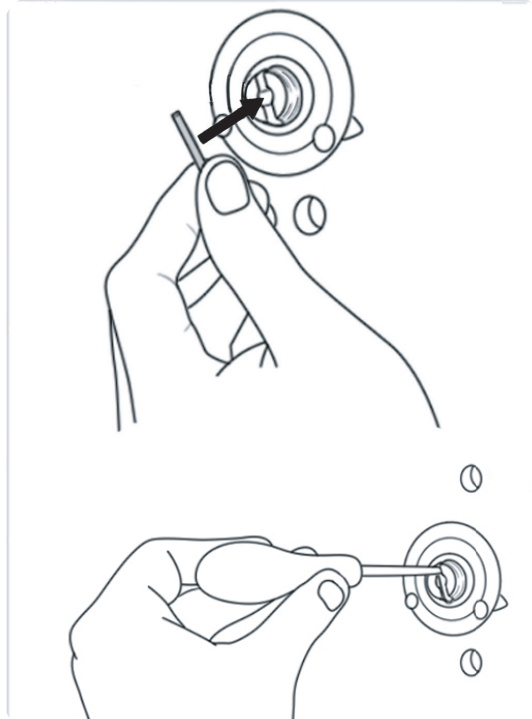
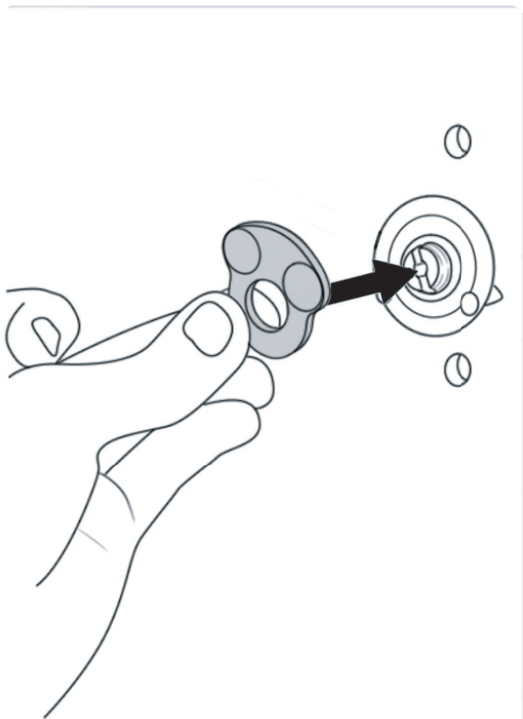
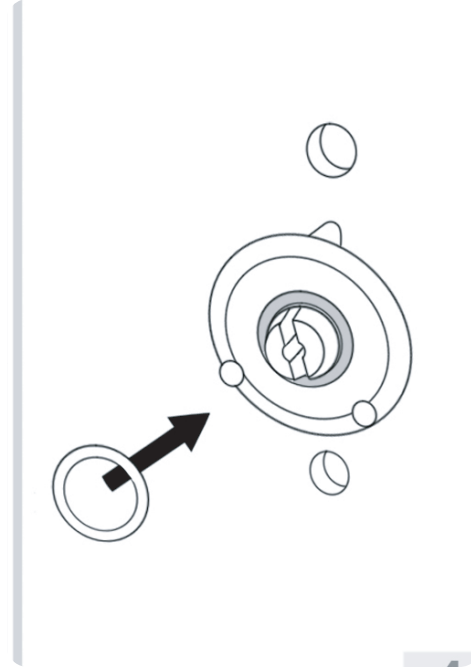
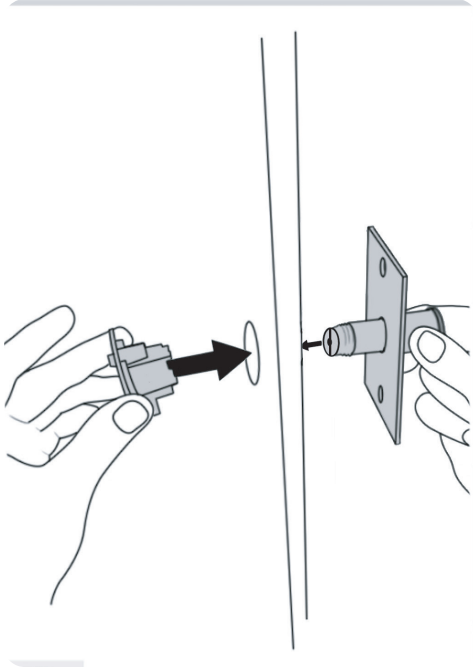
# INSTALLATION INSTRUCTIONS

**NOTES**

Check all drawings

## STEP 27

+ ASSEMBLE SELECTED  
DOOR HARDWARE ON  
DOOR PANEL



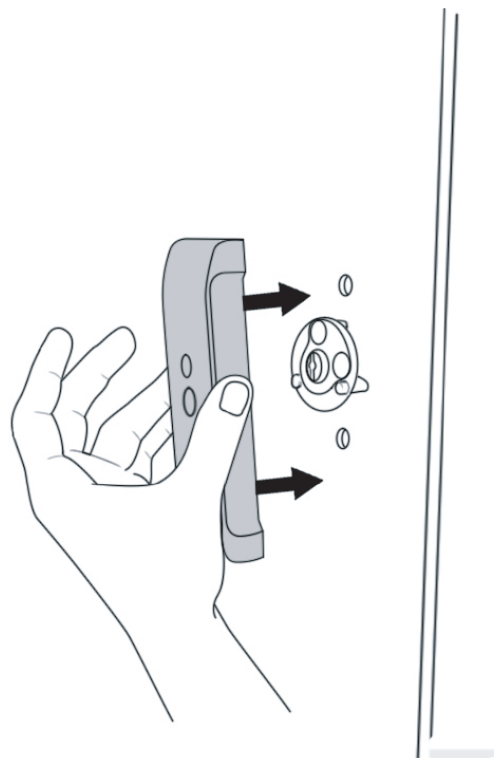
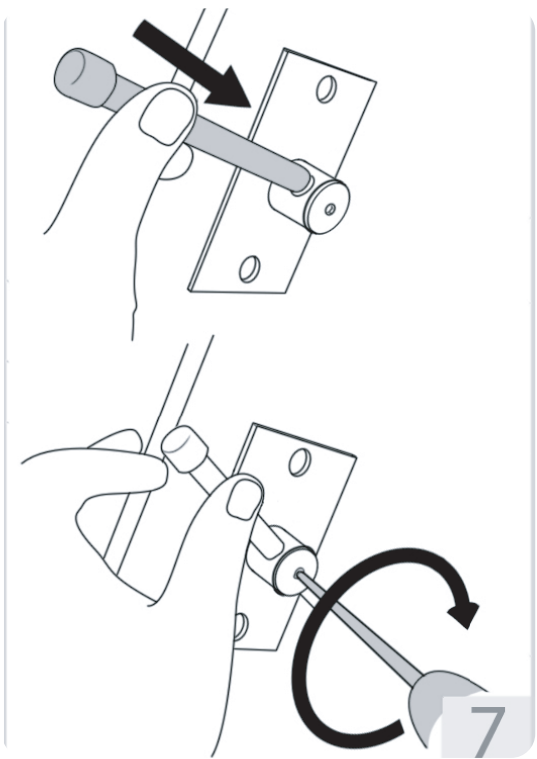
## STEP 28

+ ASSEMBLE SELECTED  
DOOR HARDWARE ON  
DOOR PANEL

# INSTALLATION INSTRUCTIONS

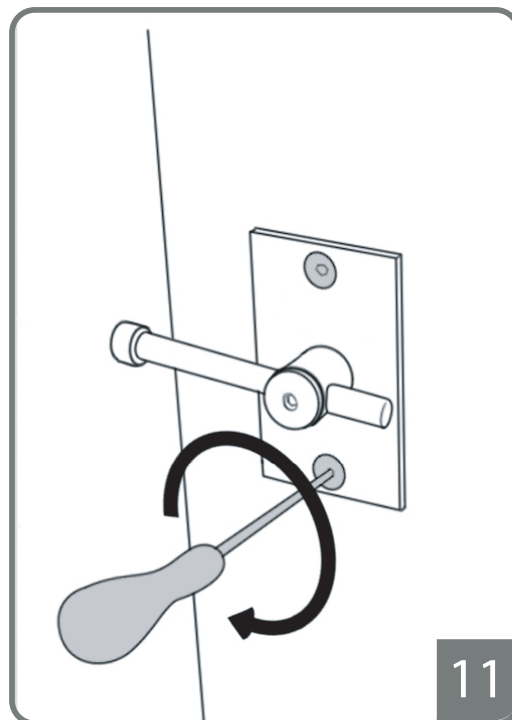
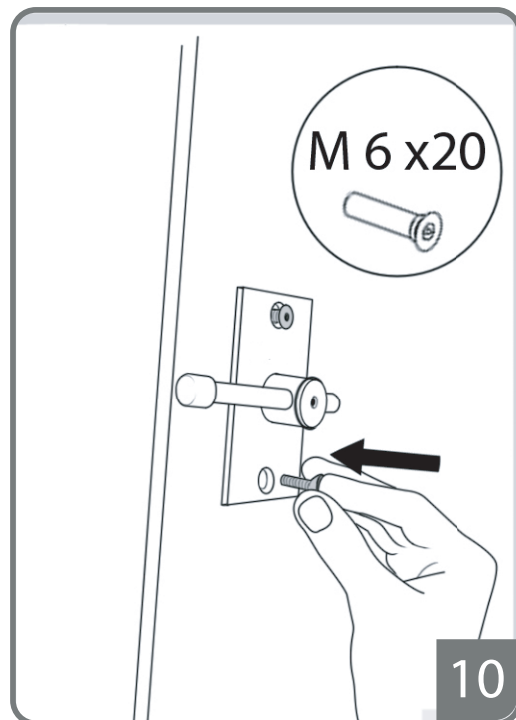
**NOTES**

Check all drawings



## STEP 29

- + ASSEMBLE SELECTED DOOR HARDWARE ON DOOR PANEL



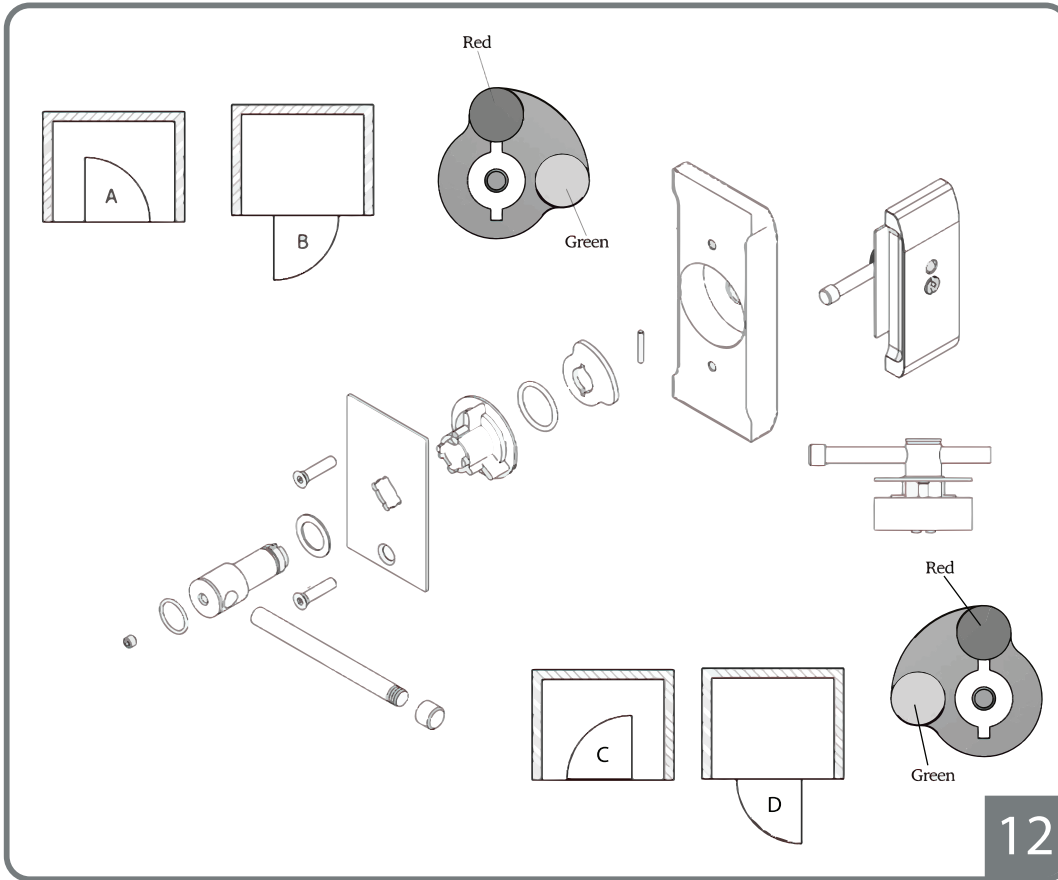
## STEP 30

- + ASSEMBLE SELECTED DOOR HARDWARE ON DOOR PANEL

# INSTALLATION INSTRUCTIONS

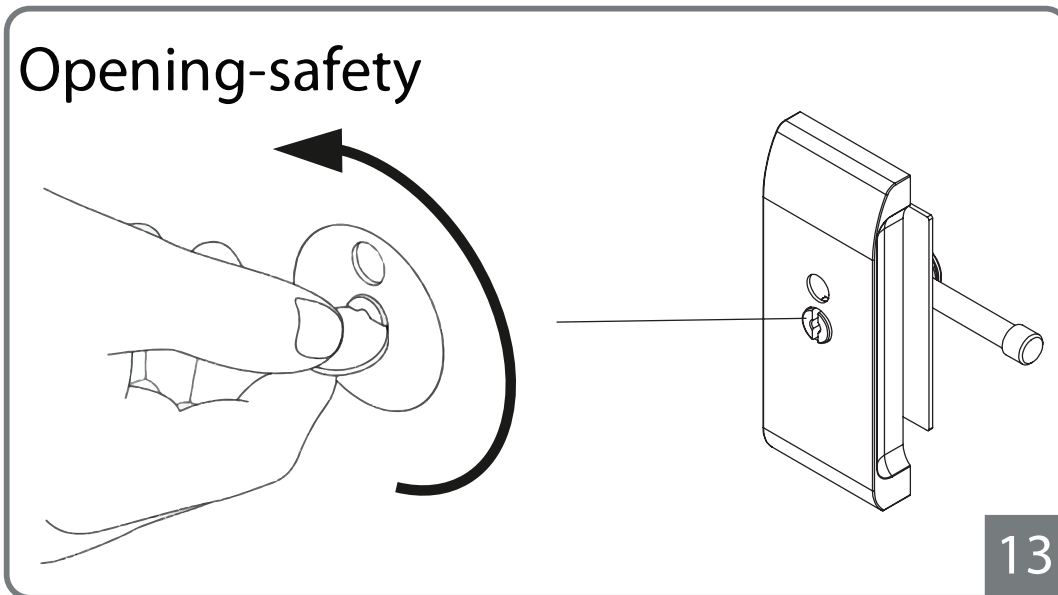
**NOTES**

Check all drawings



## STEP 31

+ ASSEMBLE SELECTED DOOR HARDWARE ON DOOR PANEL



## STEP 32

+ ASSEMBLE SELECTED DOOR HARDWARE ON DOOR PANEL

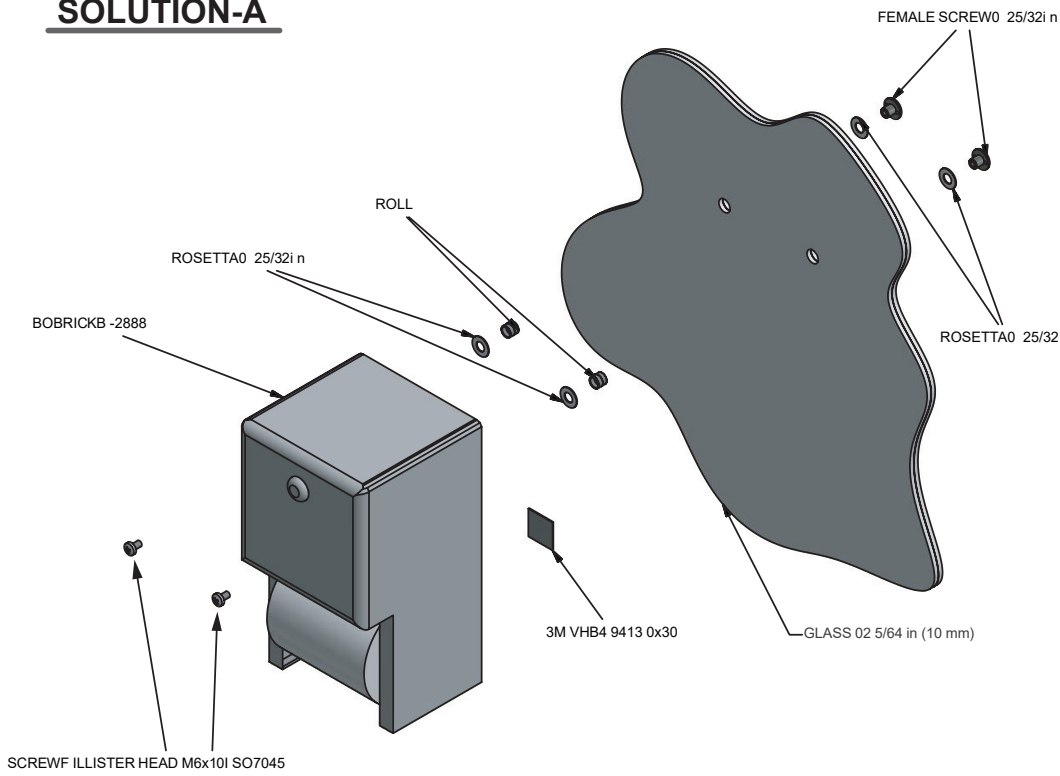


# PRE-APPROVED 3RD PARTY ACCESSORIES

**NOTES**

Check all drawings

## SOLUTION-A



## EXAMPLE 1

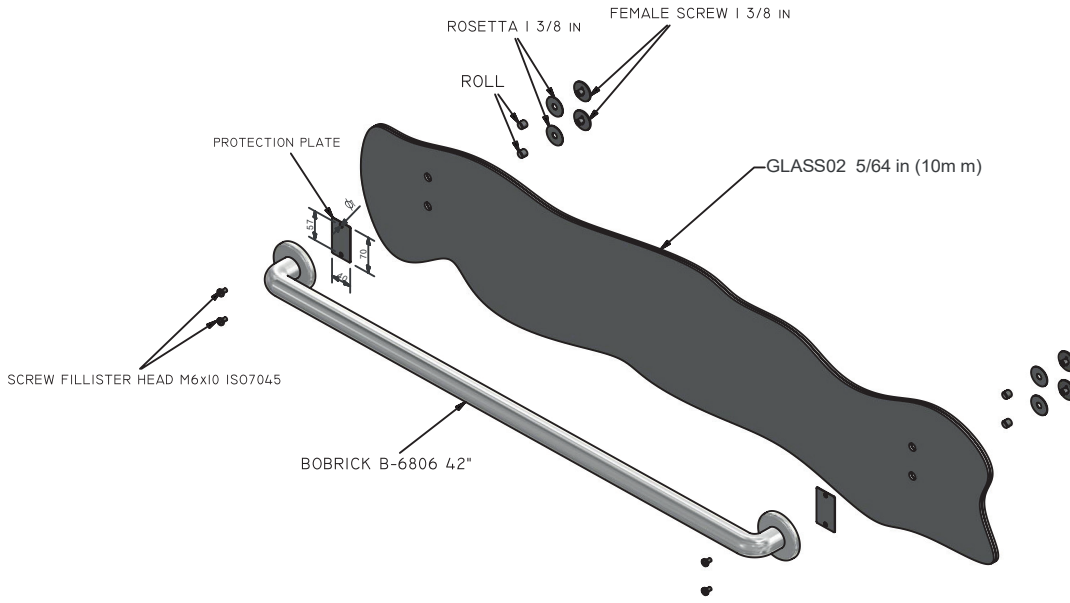
+ ASSEMBLE PRE-APPROVED 3RD PARTY ACCESSORY.

# PRE-APPROVED 3RD PARTY ACCESSORIES

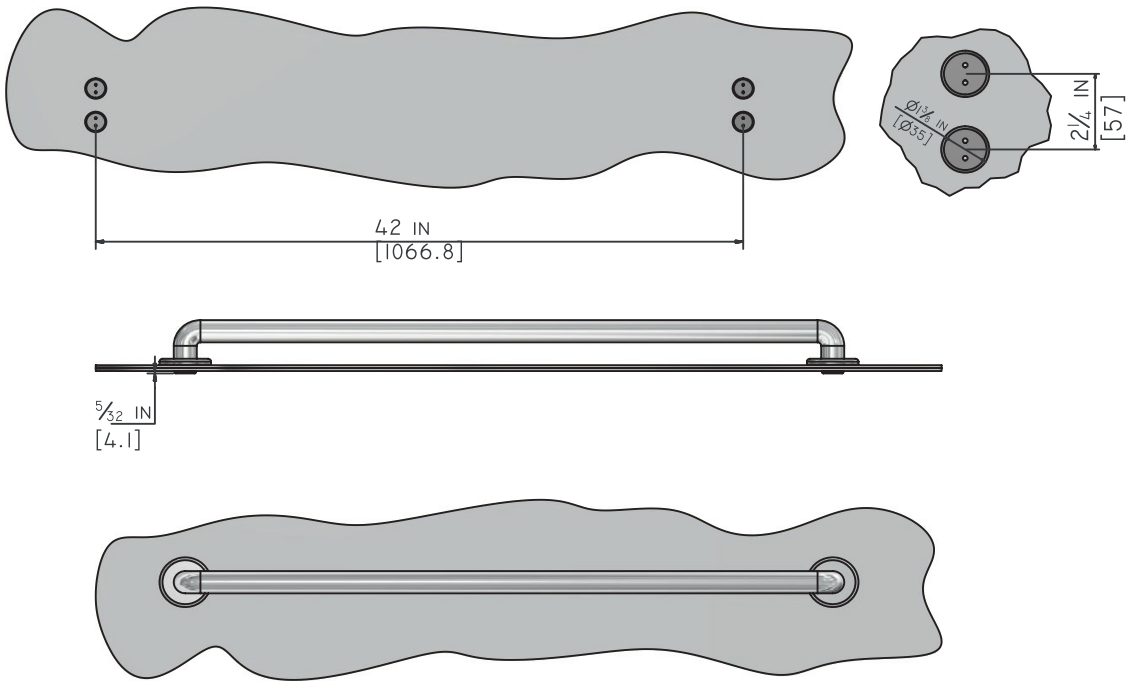
**NOTES**

Check all drawings

## GRAB-BAR SOLUTION



THEO PPOSITES IDEO FT HE DIVISION



COLOUR GLASS 21

## EXAMPLE 2

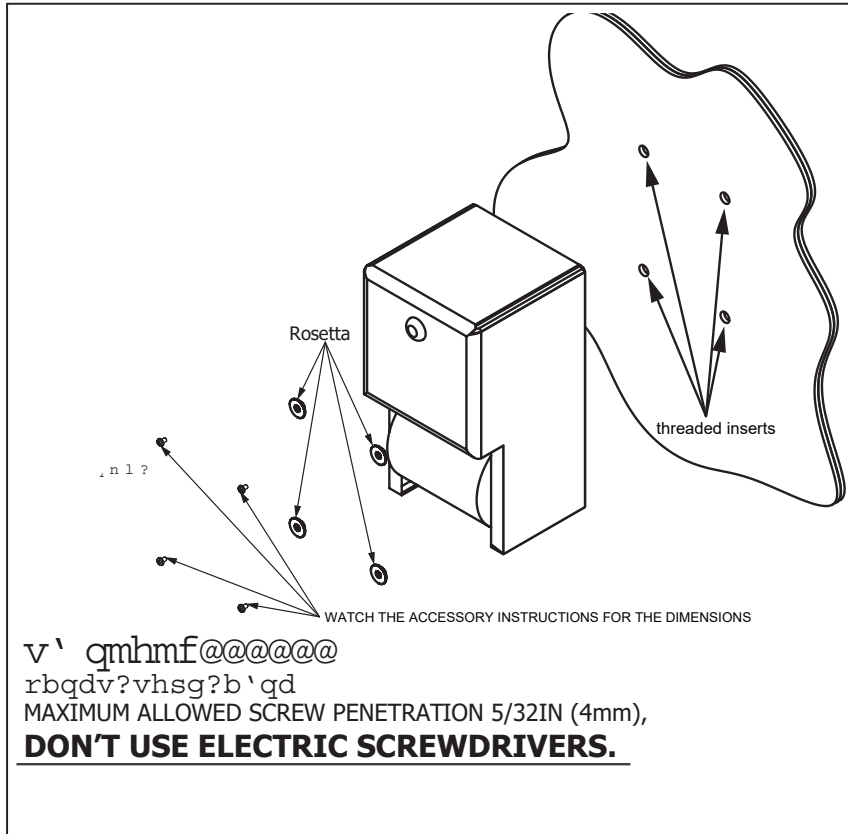
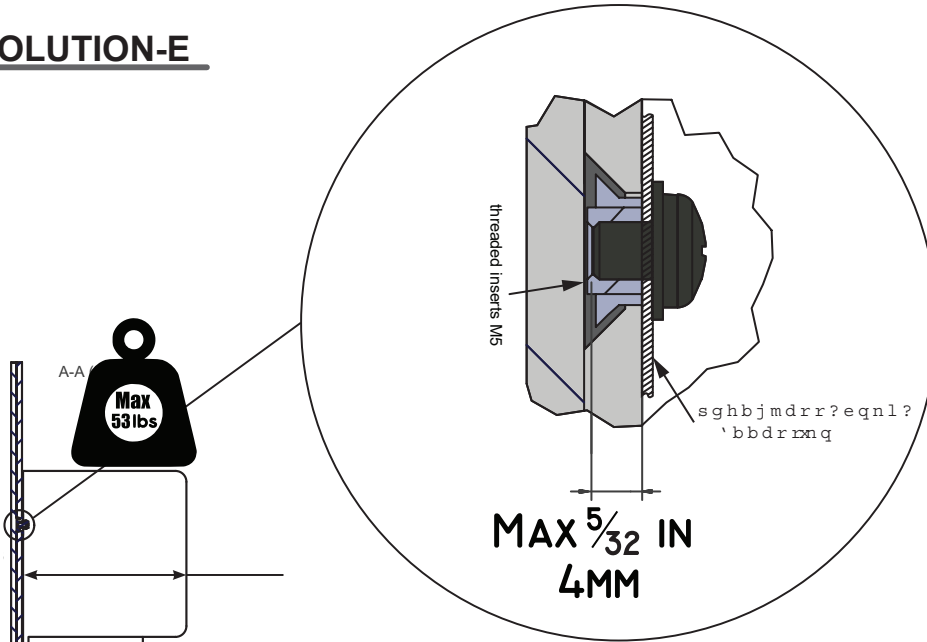
+ ASSEMBLE PRE-APPROVED 3RD PARTY ACCESSORY.

# PRE-APPROVED 3RD PARTY ACCESSORIES

## NOTES

Check all drawings

### SOLUTION-E



### EXAMPLE 3

+ ASSEMBLE PRE-APPROVED 3RD PARTY ACCESSORY.

COLOUR GLASS 2 0