

**glassRAILINGS > LEVEL
STRUCTURAL TESTING DATA**

**Structural Design
of
Glass Guardrail
for
GlassRAILING > LEVEL**

Prepared For

CARVART Glass

1441 Broadway 28th Floor
New York, NY 10018

Prepared By

TONGJI CONSULTING ASSOCIATE, INC
71-07 170th Street
Fresh Meadows, NY 11365

February 15, 2021



Project: **Carvart Interior Glass Guardrail Design**
Subject: **Summary Table of Guardrail Design**
Designed by: J. W
Date: 02/15/2021

Index No. .
Job. No. .

Job Description

This worksheet is for the stress/deflection summary table of the guardrail glass panel with varied width, height and thickness for Carvart Glass product. (highlighted in green is the recommendation, see next pages)

Notes

1. laminated full tempered glass guardrail with varied thickness and height are checked stress and deflection with different type of interlayer material (SGP and PVB).
2. only interior guardrail glass panel is checked with 50 pounds force per linear foot or minimum 200 pounds force live load is applied at top of glass panel per NYC building code 2014 Edition.
3. effective thickness method for laminated glass panel is used per ASTM E1300-16 considering the load duration time and temperature.
4. maximum 6 ksi allowable tension stress in glass panel is used per NYC building code 2014 edition chapter 24.
5. no direct code requirement on the glass guardrail deflection check under live load, based on engineering judgement, one (1) inch deflection is set as the limit of deflection. note that the deflection limit may varies per specific project specification. so the calculated deflection is listed for reference purpose,
6. for stress and deflection check, cantilever length with fix support at finished floor is used.
7. structural silicone stress is checked.
8. with this report with glass shoe strength test report, which is provided by the third party.
9. concrete anchor design is provided as a sample, not direct design for specific project, contractor engineer of project shall be responsible for final anchor/screw design.

Table 1: Live load Stress/Deflection of laminated 43" high glass guardrail

43" high Guardrail free standing panel width (ft)	4 ft (min.)		3 ft		2ft	
	LL Glass Stress (ksi) *	LL Glass deflection (inches)**	LL Glass Stress (ksi)	LL Glass deflection (inches)	LL Glass Stress (ksi)	LL Glass deflection (inches)
Laminated Glass thickness						
1/4" FT + 0.06" SGP interlayer + 1/4" FT (total thickness: 9/16")	4.50	1.16	-	-	-	-
1/4" FT + 0.06" PVB interlayer + 1/4" FT (total thickness: 9/16")	-	-	-	-	-	-
5/16" FT + 0.06" SGP interlayer + 5/16" FT (total thickness: 11/16")	2.65	0.52	3.58	0.71	5.58	1.19
5/16" FT + 0.06" PVB interlayer + 5/16" FT (total thickness: 11/16")	4.79	1.73	-	-	-	-
3/8" FT + 0.06" SGP interlayer + 3/8" FT (total thickness: 13/16")	1.85	0.30	2.48	0.40	3.69	0.59
3/8" FT + 0.06" PVB interlayer + 3/8" FT (total thickness: 13/16")	3.41	1.04	4.80	1.50	-	-
1/2" FT + 0.06" SGP interlayer + 1/2" FT (total thickness: 17/16")	1.09	0.13	1.46	0.18	2.32	0.32
1/2" FT + 0.06" PVB interlayer + 1/2" FT (total thickness: 17/16")	2.07	0.49	2.88	0.69	4.62	1.15

Table 2: Live load Stress/Deflection of laminated 55" high glass guardrail

55" high Guardrail free standing panel width (ft)	4 ft (min.)		3 ft		2ft	
	LL Glass Stress (ksi) *	LL Glass deflection (inches)**	LL Glass Stress (ksi)	LL Glass deflection (inches)	LL Glass Stress (ksi)	LL Glass deflection (inches)
Laminated Glass thickness						
1/4" FT + 0.06" SGP interlayer + 1/4" FT (total thickness: 9/16")	5.7	2.37	-	-	-	-
1/4" FT + 0.06" PVB interlayer + 1/4" FT (total thickness: 9/16")	-	-	-	-	-	-
5/16" FT + 0.06" SGP interlayer + 5/16" FT (total thickness: 11/16")	3.37	1.06	4.57	1.48	-	-
5/16" FT + 0.06" PVB interlayer + 5/16" FT (total thickness: 11/16")	5.86	3.36	-	-	-	-
3/8" FT + 0.06" SGP interlayer + 3/8" FT (total thickness: 13/16")	2.35	0.61	3.17	0.84	4.89	1.37
3/8" FT + 0.06" PVB interlayer + 3/8" FT (total thickness: 13/16")	4.19	2.03	-	-	-	-
1/2" FT + 0.06" SGP interlayer + 1/2" FT (total thickness: 17/16")	1.39	0.28	1.87	0.38	2.96	0.66
1/2" FT + 0.06" PVB interlayer + 1/2" FT (total thickness: 17/16")	2.56	0.97	3.68	1.45	5.9	2.39

Table 3: Live Load Stress/Deflection of laminated 72" high glass guardrail

72" high Guardrail panel free standing width (ft)	4 ft (min.)		3 ft		2ft	
	LL Glass Stress (ksi) *	LL Glass deflection (inches)**	LL Glass Stress (ksi)	LL Glass deflecti on (inches)	LL Glass Stress (ksi)	LL Glass deflection (inches)
3/8" FT + 0.06" SGP interlayer + 3/8" FT (total thickness: 13/16")	3.06	1.36	4.13	1.87	-	-
3/8" FT + 0.06" PVB interlayer + 3/8" FT (total thickness: 13/16")	-	-	-	-	-	-
1/2" FT + 0.06" SGP interlayer + 1/2" FT (total thickness: 17/16")	1.81	0.61	2.44	0.83	3.86	1.46
1/2" FT + 0.06" PVB interlayer + 1/2" FT (total thickness: 17/16")	3.34	2.14	4.8	3.2	-	-

Notes

* max. allowable stress in full tempered glass is 6 ksi. Engineer's recommendation is highlighted in green color.

** No specific deflection limit per NYC Building Code 2014 edition. Maximum 1 inches is recommended based on engineer judgement.

*** stress/deflection is calculated under 50 plf or 200 lbf concentrated live load applied at top of guardrail, with load duration 24 hours.

**** effective thickness method is applied for laminated full tempered glass with SGP and PVB interlayer per ASTM E1300-16.

Project: **Carvart Interior Glass Guardrail Design**
Subject: **Summary Table of Guardrail Design**
Designed by: J. W
Date: 02/15/2021

Index No. .
Job. No. .

Recommended anchor for glassRAILING>LEVEL:

1. 3/8" diameter HILITI KWIK BOLT TZ (KB-TZ) carbon steel anchor with minimum 2.5" concrete embedment @ 16" max. spacing with minimum 2.5" concrete edge distance.
2. applicable to 55" high glass guardrail with minimum 4 ft wide.

Project: **Carvart Interior Glass Guardrail Design**
Subject: **Summary Table of Guardrail Design**
Designed by: J. W
Date: 02/15/2021

Index No. .
Job. No. .

Appendix:
Stress/Deflection check
& Silicone, Anchor design

Project: **Carvart Interior Glass Guardrail Design**
Subject: **43" high Guardrail (PLAN) Check**
Designed by: J. W
Date: 02/15/2021

Index No. .
Job. No. .

Job Description

This worksheet is for the structural design of the 43" high glass guardrail with varied thickness for Carvart Glass product: glassRAILINGS > PLAN. the following items are Included:

1. Constants.

2. glass guardrail live load

3. 13/16" thick glass panel (4ft wide)

4. 11/16" thick glass panel (4ft wide)

5. 9/16" thick glass panel (4ft wide)

6. 17/16" thick glass panel (4ft wide)

7. 13/16" thick glass panel (3ft wide)

8. 11/16" thick glass panel (3ft wide)

9. 17/16" thick glass panel (3ft wide)

10. 9/16" thick glass panel (3ft wide)

11. 11/16" thick glass panel (2ft wide)

12. 13/16" thick glass panel (2ft wide)

13. 17/16" thick glass panel (2ft wide)

Design Notes and Results

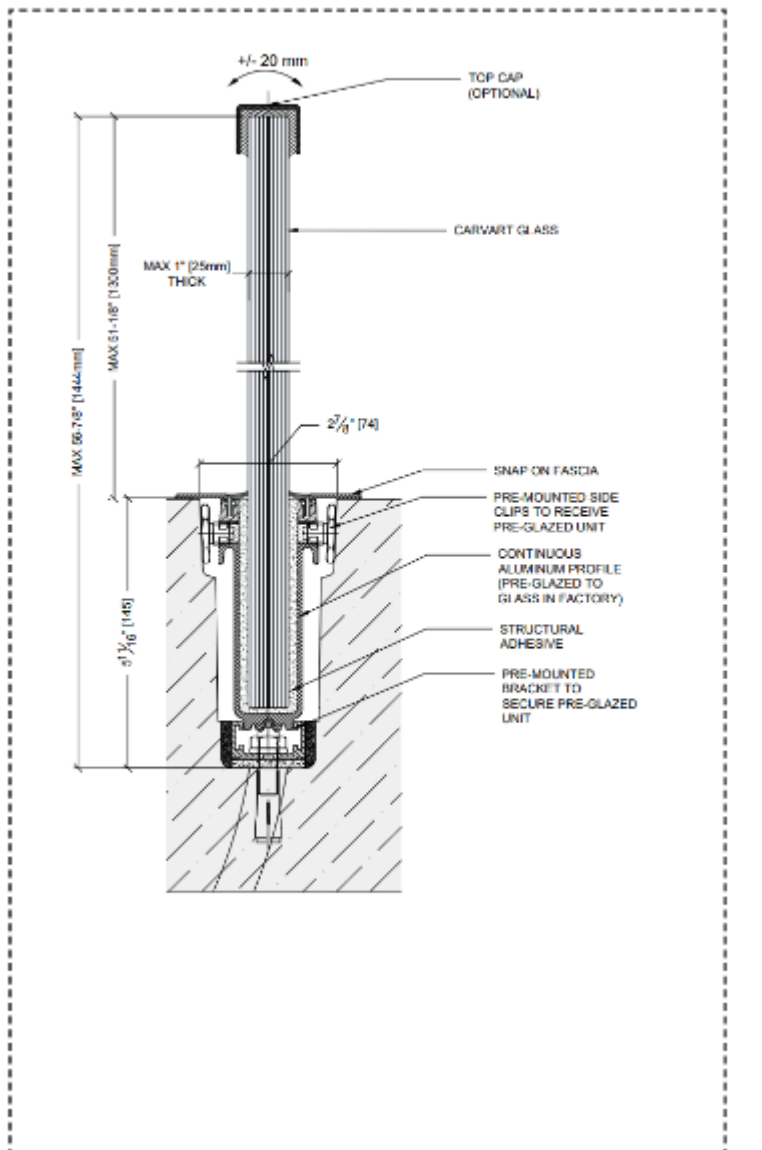
- 1.) the scope of work: glass panel strength/deflection design,
- 2.) No strength check of existing structure or substrate or items by others are in the scope of work.
- 3.) work this design with glass railing product.

References

- 1.) AISC steel construction Manual. 15th Edition
- 2.) NYC building construction Code. 2014
- 3.) ACI 318-14 Chapter 17
- 4.) ASTM E1300-16: Standard Practice for Determining load Resistance of Glass in Buildings

7.0 Design of Concrete Anchor *anchor* *(glassRAILING>Level)*

glassRAILINGS>LEVEL



$$W_{\text{guardrail}} := 4\text{ft}$$

width of guardrail panel

$$\text{Spacing}_{\text{anchor1}} := 16\text{in}$$

spacing of anchor

$$N_{\text{anchor}} := \text{floor}\left(\frac{W_{\text{guardrail}}}{\text{Spacing}_{\text{anchor1}}}\right) = 3.00$$

Number of anchor for one glass panel

$$DL_{\text{panel, plan A}} := 160\text{pcf} \cdot 1\text{in} \cdot W_{\text{guardrail}} \left[55.125\text{in} + \left(5\text{in} + \frac{11}{16}\text{in} \right) \right] \cdot 1.2 = 324.33\text{ lbf}$$

dead load applied on one glass panel
(assumed in conservative side)

$$LL_{\text{panel}} := \max(PLL, ULL \cdot W_{\text{guardrail}}) = 200.00\text{ lbf}$$

max. live load on one panel

$$V_{\text{anchor applied}} := \frac{LL_{\text{panel}} \cdot \left(55.125\text{in} + 5\text{in} + \frac{11}{16}\text{in} \right)}{5\text{in} \cdot N_{\text{anchor}}} = 810.83\text{ lbf}$$

shear load on one anchor

ESR – 1917

3/8" Dia. anchor bolt with 2.5" embedment

$$d_{\text{anchor}} := \frac{3}{8} \text{ in}$$

anchor bolt size

$$\text{Embedment}_{\text{anchor}} := 2 \text{ in}$$

anchor bolt embedment depth

$$V_{\text{anchor_factored}} := V_{\text{anchor_applied}} \cdot 1.6 = 1.30 \cdot \text{kip}$$

total shear factored load on one anchor,
(1.6 factor is used to convert load from
ASD to Strength Method) in conservative side

$$N_{\text{tension}} := 1$$

number of tension bolt in group,

assuming cracked concrete

For the definition of varies, see above figure.

$$c_{a1} := 3.5 \text{ in}$$

bolt edge distance (assumed)

$$c_{a2} := 8 \text{ in}$$

bolt edge distance (assumed)

$$h_{\text{ref}} := 2 \text{ in}$$

$$c_{\text{ac}1} := 4 \text{ in}$$

critical distance per ESR-1917 Report, Table 3
for min. 5" thickness concrete slab below the
glass shoe

$$C_{ac} := \min(1.5 \cdot h_{ef}, C_{ac1}) = 3.00 \cdot \text{in} \quad \text{critical distance}$$

$$A_{Nco} := (2 \cdot 1.5 \cdot h_{ef}) \cdot (2 \cdot 1.5 \cdot h_{ef}) = 36.00 \cdot \text{in}^2$$

$$A_{Nc} := \min((1.5 \cdot h_{ef} + \min(c_{a1}, 1.5 \cdot h_{ef})) \cdot (\min(c_{a2}, 1.5 \cdot h_{ef}) + 1.5 \cdot h_{ef})) = 36.00 \cdot \text{in}^2$$

$$\psi_{edN} := \min\left(1, 0.7 + 0.3 \cdot \frac{\min(c_{a1}, c_{a2})}{1.5 \cdot h_{ef}}\right) = 1.00$$

Modification factor for anchor bolt group edge effect in tension. ACI 318-14 Eq. 17.4.2.4

$$\psi_{cN} := 1.0$$

Per ESR-1917 table 3

$$\psi_{cpN} := \min\left(1, \max\left(\frac{1.5 \cdot h_{ef}}{C_{ac}}, \frac{c_{a1}}{C_{ac}}\right)\right) = 1.00$$

Modification factor for anchor bolt group in tension for post-installed anchor ACI 38-14 Eq. 17.4.2.7a & 7b

$$k_{cr} := 17$$

Per ESR 1917 Table 3

$$\lambda := 1.0$$

for normal weight concrete

$$F_c := 2.5 \text{ksi}$$

$$N_{br} := k_{cr} \cdot \lambda \cdot \left(\frac{F_c}{1 \text{psi}}\right)^{0.5} \cdot \left(\frac{h_{ef}}{1 \text{in}}\right)^{1.5} \cdot 1 \text{lbf} = 2.40 \cdot \text{kip}$$

the basic concrete breakout strength of a single anchor in tension, ACI 318-14 Eq. 17.4.2.2a

$$N_{cb} := \frac{A_{Nc}}{A_{Nco}} \cdot \psi_{edN} \cdot \psi_{cN} \cdot \psi_{cpN} \cdot N_{b1} = 2.40 \cdot \text{kip}$$

the nominal concrete breakout strength of anchor group in tension, ACI 318-14 Eq. 17.4.2.1a& 1b

$$\phi_{co_breakout} := 0.65$$

Per ESR-1917 Table 3

$$\phi N_{cb} := N_{cb} \cdot \phi_{co_breakout} = 1.56 \cdot \text{kip}$$

Steel Strength of anchor in shear

$$\phi V_{sa} := 3.595 \text{kip} \cdot 0.65 = 2.34 \cdot \text{kip}$$

Per ESR-1917 Table 3, 0.65 reduction

Concrete breakout Strength of anchor in shear

Reference : ACI 318 -14 Chapter 17

$$A_{vc} := 4.5 \cdot c_{a1}^2 = 55.12 \cdot \text{in}^2$$

ACI 318-14 Eq. 17.5.2.1c

$$h_{av} := 6 \text{in} = 6.00 \cdot \text{in}$$

assumed the minimum depth of concrete slab

$$C_{a1} := c_{a1} = 3.50 \cdot \text{in}$$

$$A_{vc} := (1.5 \cdot C_{a1} + \min(c_{a2}, 1.5 \cdot C_{a1})) \cdot 1.5 \cdot C_{a1} = 55.13 \cdot \text{in}^2$$

$$V_{b1} := 7 \cdot \left(\frac{\min(d_{\text{anchor}} \cdot 8, h_{ef})}{d_{\text{anchor}}} \right)^{0.2} \cdot \left(\frac{d_{\text{anchor}}}{1 \text{in}} \right)^{0.5} \cdot \left[\lambda \cdot \left(\frac{F_c}{1 \text{psi}} \right)^{0.5} \cdot \left(\frac{C_{a1}}{1 \text{in}} \right)^{1.5} \right] \cdot 1 \text{lbf} = 1.96 \cdot \text{kip}$$

ACI 318-14 Eq. 17.5.2.2a

$$V_{b2} := 9\lambda \cdot \left(\frac{F_c}{1\text{psi}}\right)^{0.5} \cdot \left(\frac{C_{a1}}{1\text{in}}\right)^{1.5} \cdot (1\text{lbf}) = 2.95 \cdot \text{kip}$$

ACI 318-14 Eq. 17.5.2.2b

$$V_b := \min(V_{b1}, V_{b2}) = 1.96 \cdot \text{kip}$$

$$e_v := 0.0\text{in}$$

$$\psi_{ecv} := \frac{1}{1 + \frac{2 \cdot e_v}{3 \cdot C_{a1}}} = 1.00$$

Modification factor for anchor bolt group loaded eccentrically in shear
 ACI 318-14 Eq. 17.5.2.5

$$\psi_{edv} := 1.0$$

Modification factor for anchor bolt group edge effect in shear
 ACI 318-14 Eq. 17.5.2.6a for $c_{a2} > 1.5C_{a1}$

$$\psi_{cv} := 1.0$$

Modification factor for anchor bolt group in shear for post-installed anchor
 ACI 318-14 item 17.5.2.7

$$\psi_{ch} := 1.0$$

Modification factor for anchor bolt located in a concrete member where $h_a < 1.5c_{a1}$, ACI 318-14 item 17.5.2.8

$$V_{bcb} := \frac{A_{vc}}{A_{vco}} \cdot \psi_{ecv} \cdot \psi_{edv} \cdot \psi_{cv} \cdot \psi_{ch} \cdot V_b = 1.96 \cdot \text{kip}$$

the nominal concrete breakout strength of anchor group in tension, ACI 318-14 Eq. 17.5.2.1a & 1b.

Concrete pry out Strength of anchor in shear

ESR-1917 Table 3

$$K_{cp} := 1.0$$

$$\phi_{shear_cr} := 0.70$$

$$\phi V_{cp} := \phi_{shear_cr} \cdot K_{cp} \cdot N_{cb} = 1.68 \cdot \text{kip}$$

$$\phi V_n := \min(\phi V_{cp}, \phi V_{sa}, \phi_{shear_cr} \cdot V_{cbg}) = 1.37 \cdot \text{kip}$$

$$\text{ratio}_{shear} := \frac{V_{anchor_factored}}{\phi V_n} = 0.94$$

if V_u is less than $0.2 \phi V_n$, then full strength in tension shall be permitted. no need to check the interaction of tensile and shear forces

$$\text{Shear}_{anchor} := \begin{cases} \text{"OK !!"} & \text{if } V_{anchor_factored} \leq \phi V_n \\ \text{"NG !!"} & \text{otherwise} \end{cases}$$

Shear_{anchor} = "OK !!"